

**GENERAL DRAWING NOTES:**

**1. Material:**

- a. Extruded aluminum alloy 6063-T6 with a minimum wall thickness of 1/8".

**2. Finishes:**

- a. Available in anodized, kynar painted and powder coat paint finishes

**3. Doors:**

- a. Standard door thickness is 2".
- b. Available stile widths: 2-1/2", 3-1/2" and 4-1/2".
- c. Available top rail heights: 2-1/2", 3-1/2" and 5".
- d. Available bottom rail heights: 6" and 10" or greater using dress plates (10" recommended to comply with 2004 ADA guidelines).
- e. Center rail minimum is 1-1/2" (per detail 8 on page 5).
- f. Interior side glass stops snap on to accommodate most glass thickness (special glass sizes can be accommodated, see page 8 or consult factory).

**4. Frames:**

- a. See details following for offset profile.
- b. Glass thickness may vary as desired. See details on page 8.
- c. Glass location may vary as desired. See detail 4 on page 4, and 18 on page 6.\*

**5. Door & Frame:** For multi-light/true divided construction (D-2), intermediate vertical and horizontal muntins (1/2" minimum), see page 8 and details 14 & 17 on page 6, and 20 & 23 on page 7.

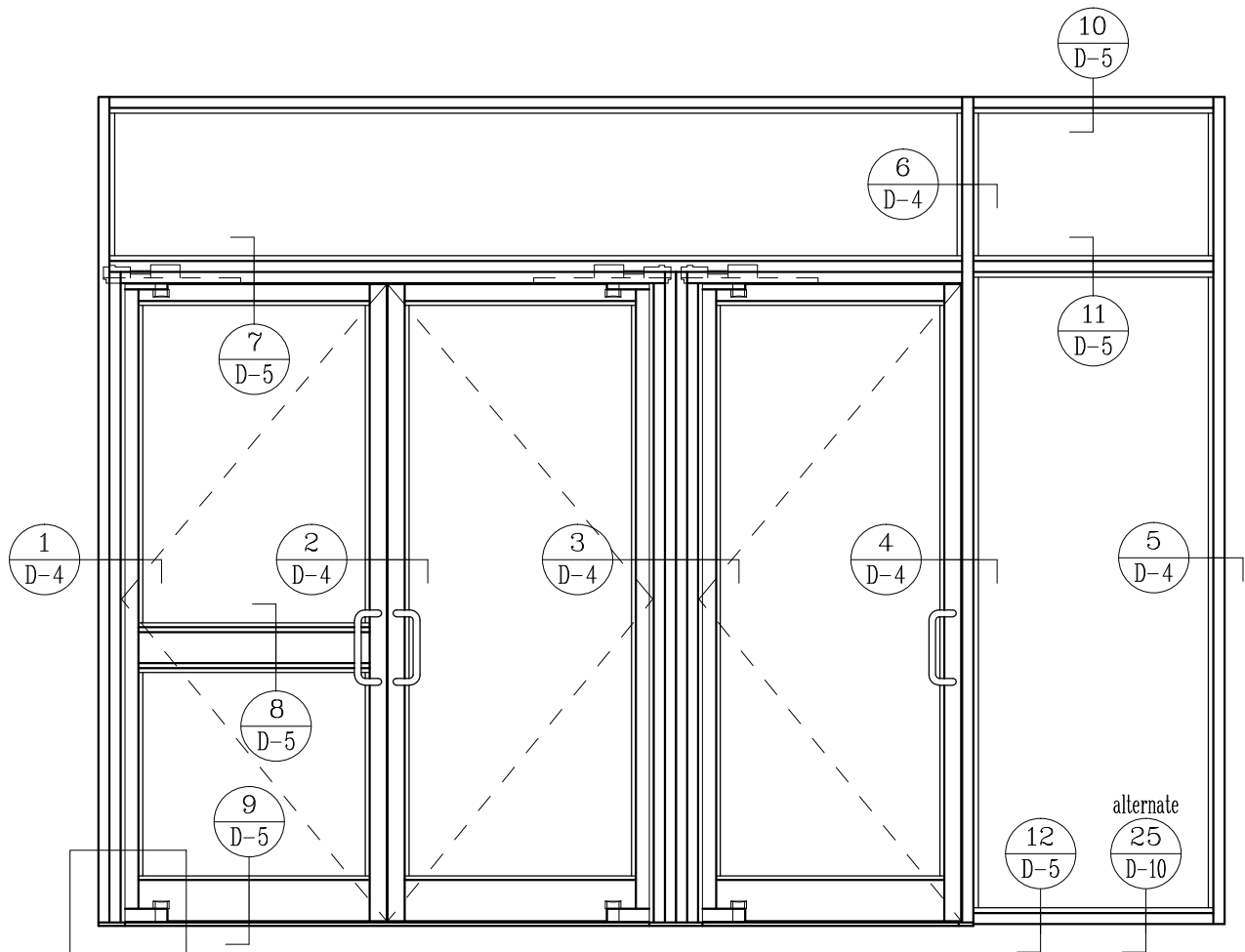
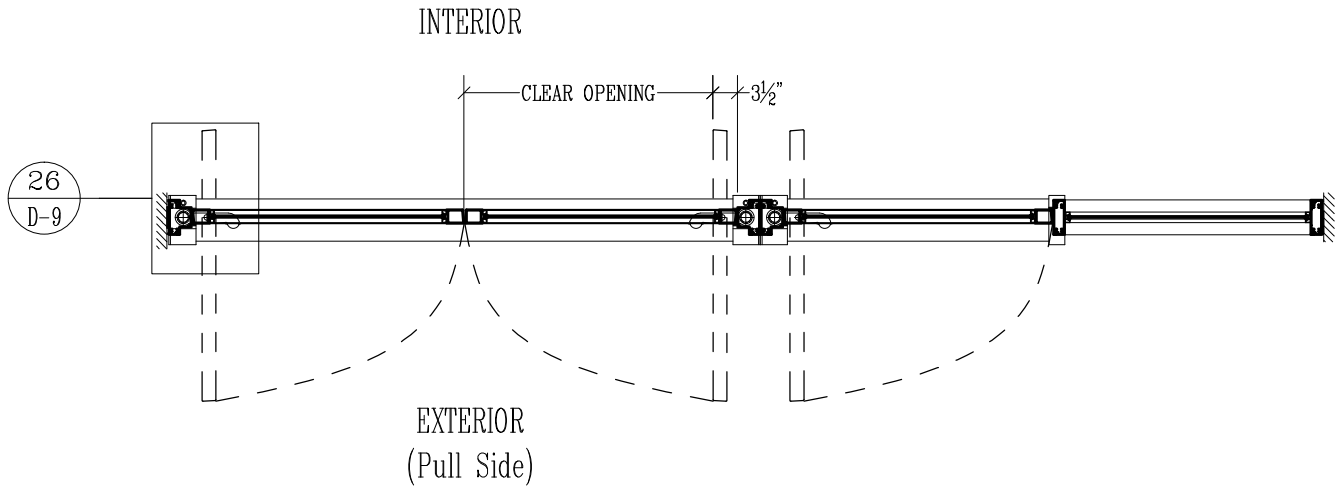
**6. Threshold and floorbox types:** see details on page 10.

**7. Door in open position and door projection:** see detail 26 on page 9.

**8. Grilles:** available, consult factory.

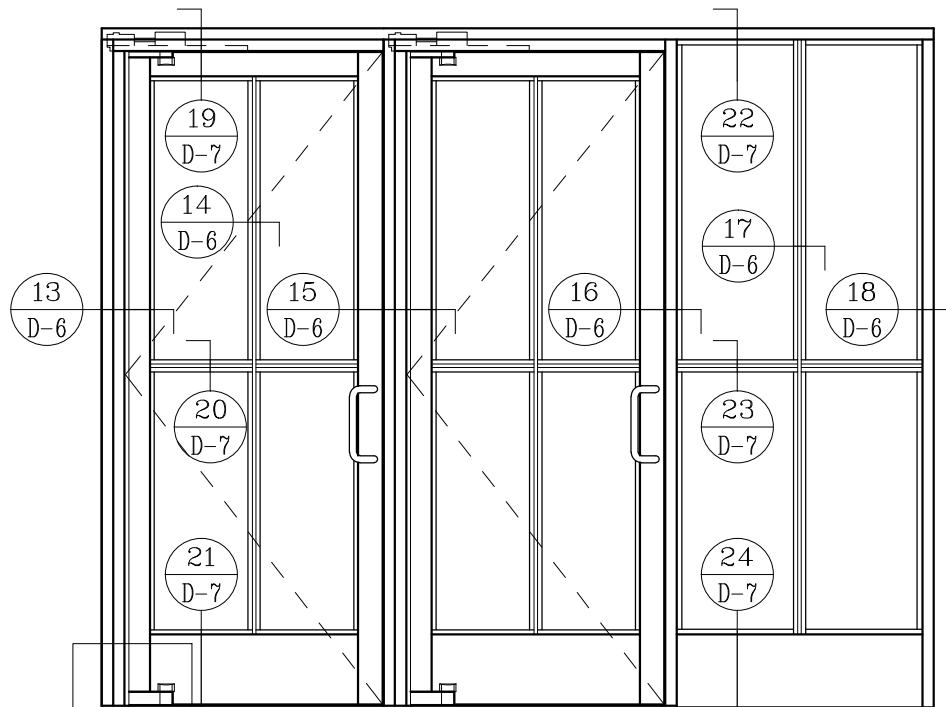
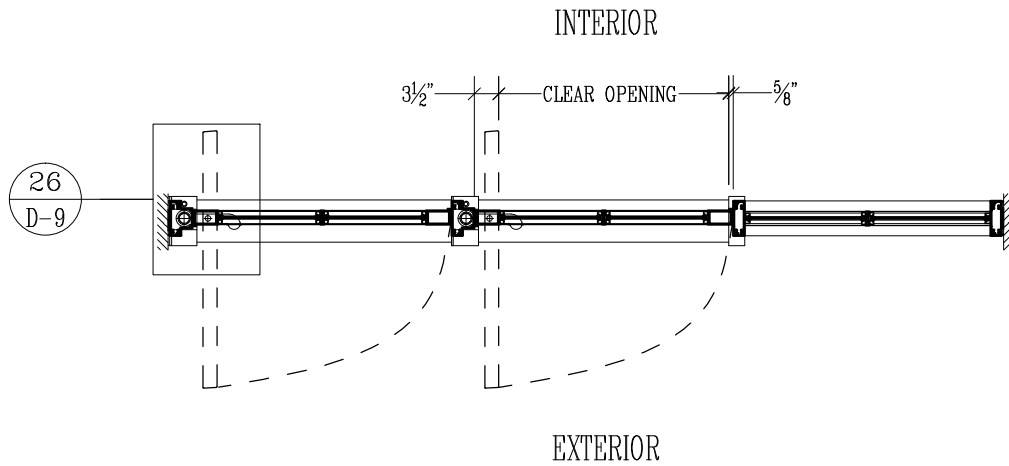
**9. Further information:** Refer to specifications following, miscellaneous items section M, curtainwall applications section L, or consult the factory.

**Concealed Shafts / Framed Sidelight and Transom / Applied Glass Stops (D-1)**



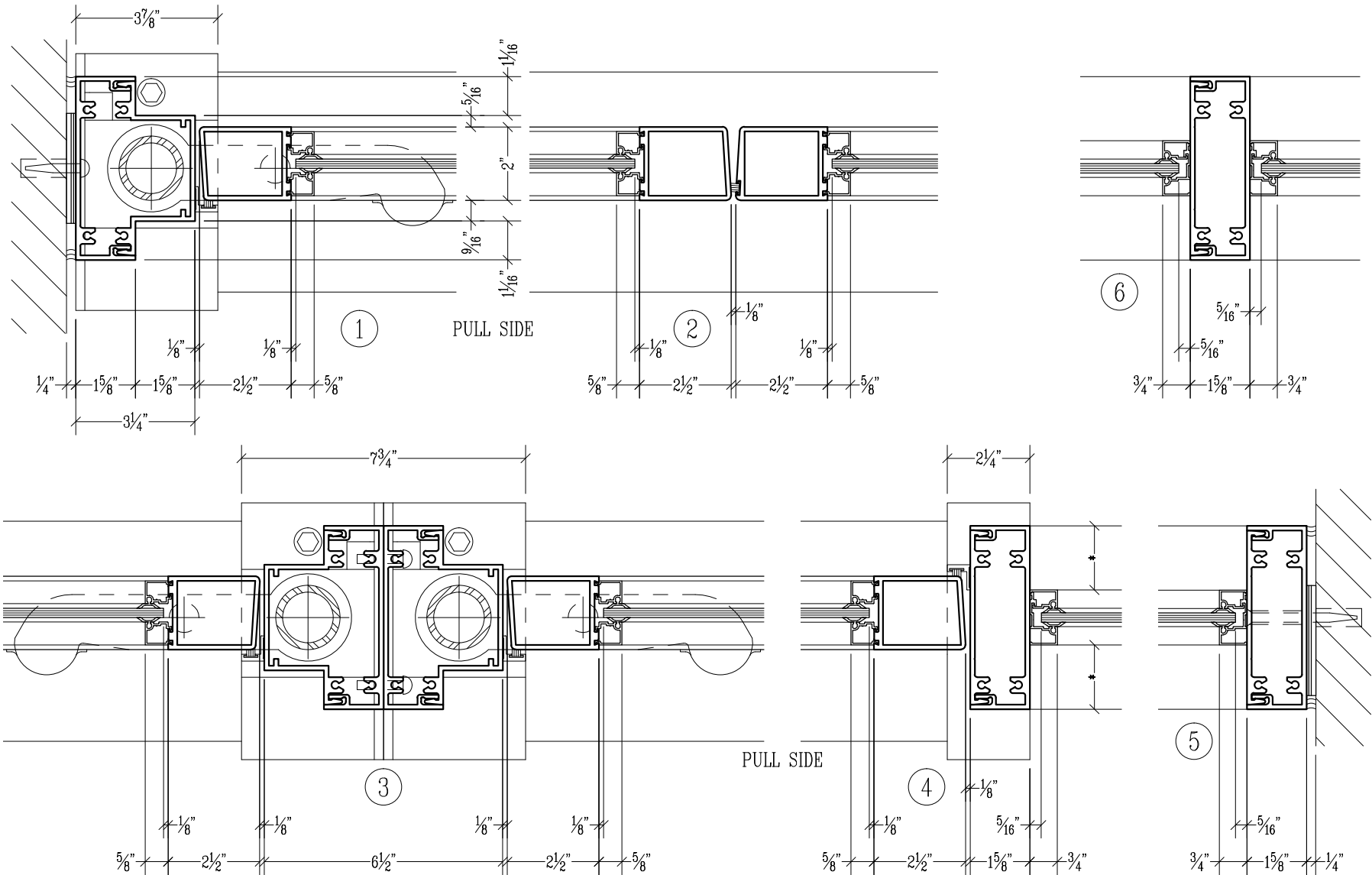
SEE PAGE #10 FOR FLOORBOX DETAILS  
(WITH AND WITHOUT THRESHOLD)

**Concealed Shafts / Multi-Light Door and Framed Sidelight / Applied Glass Stops (D-2)**

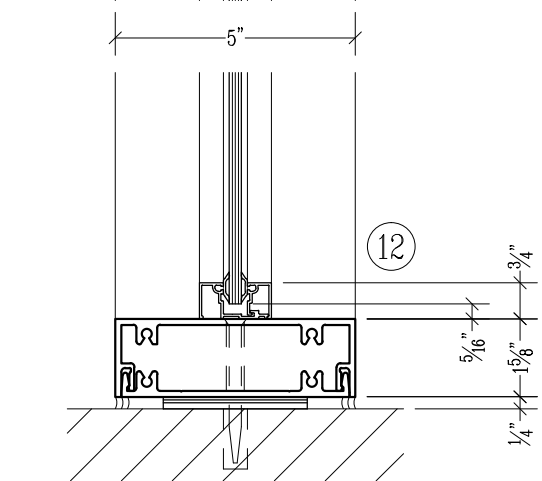
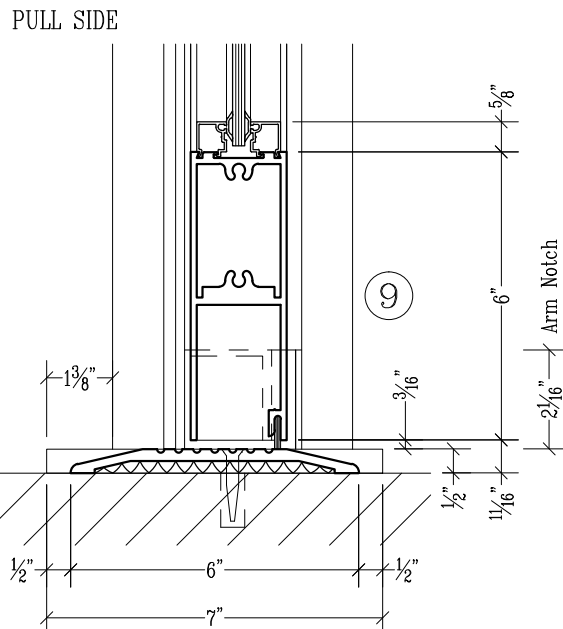
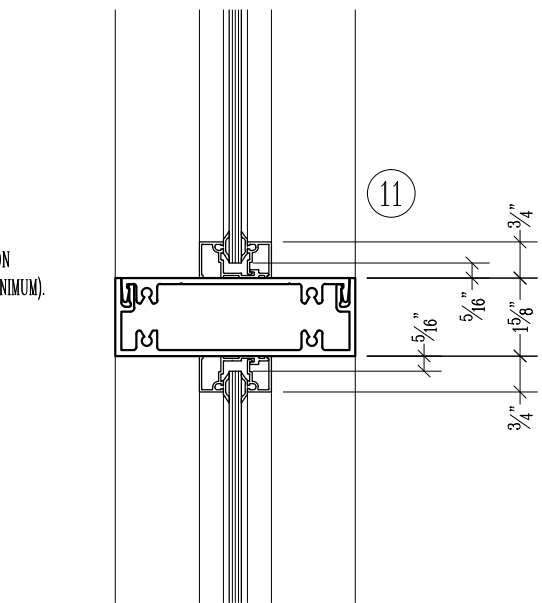
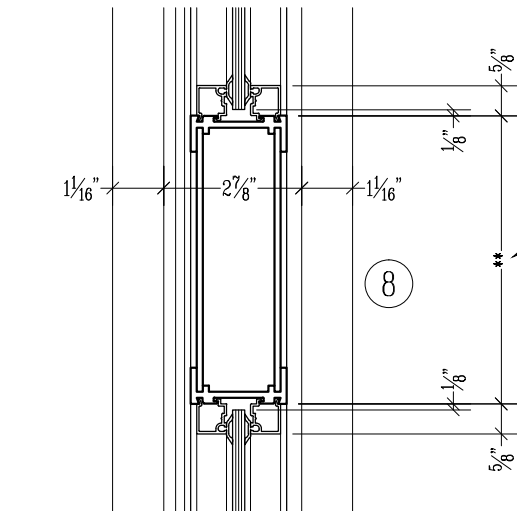
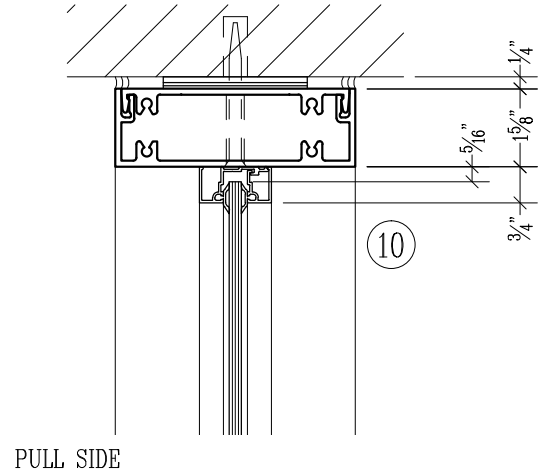
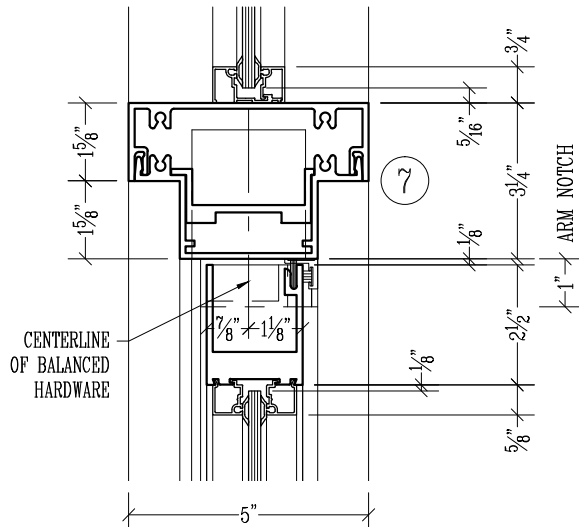


SEE PAGE #10 FOR FLOORBOX DETAILS  
(WITH AND WITHOUT THRESHOLD)

**Concealed Shafts / Framed Sidelight and Transom / Applied Glass Stops (D-1)**

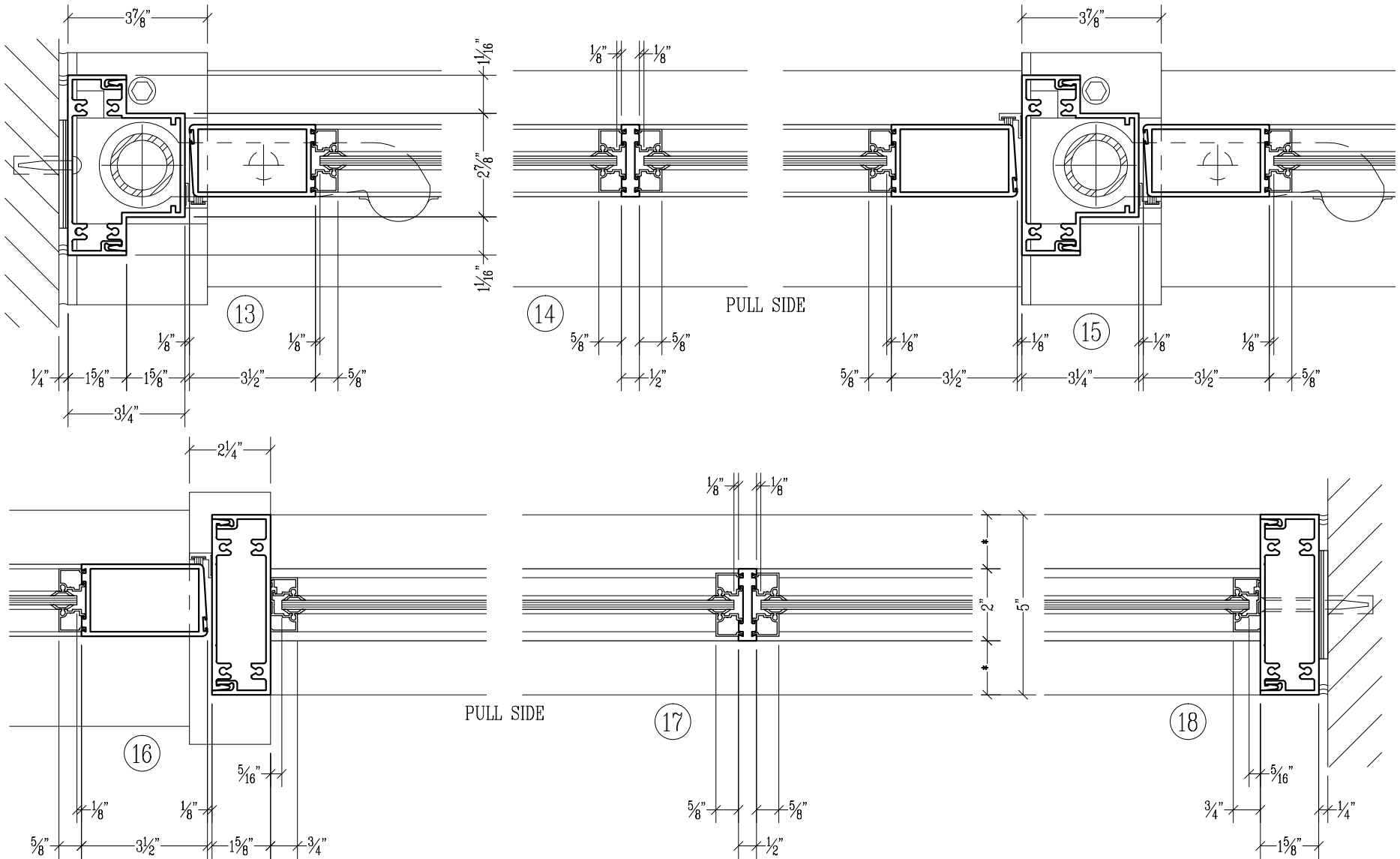


**Concealed Shafts / Framed Sidelight and Transom / Applied Glass Stops (D-1)**

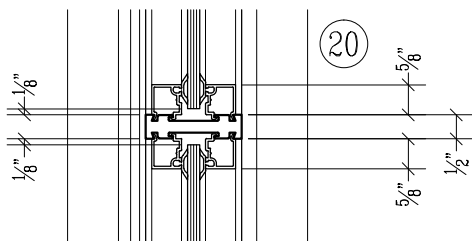
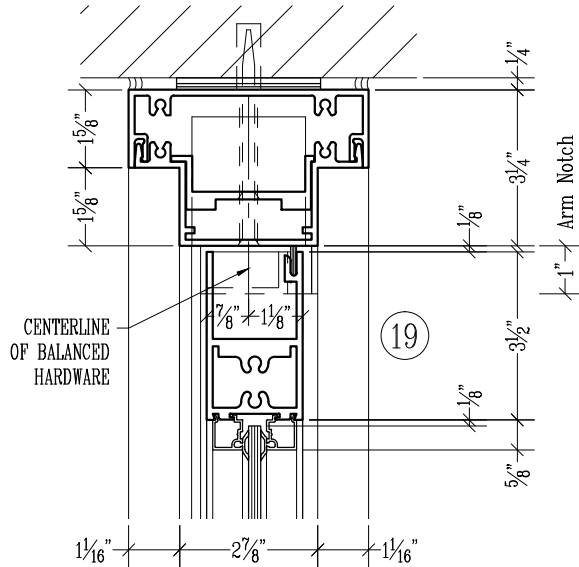


SCALE: 1/4" = 1"

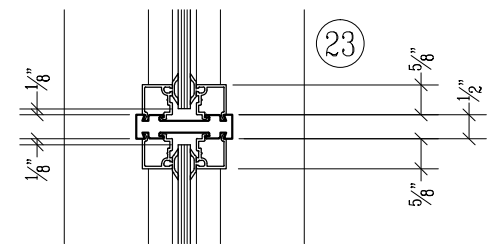
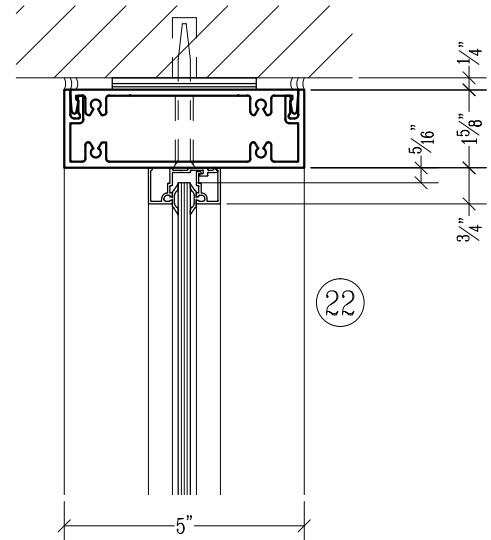
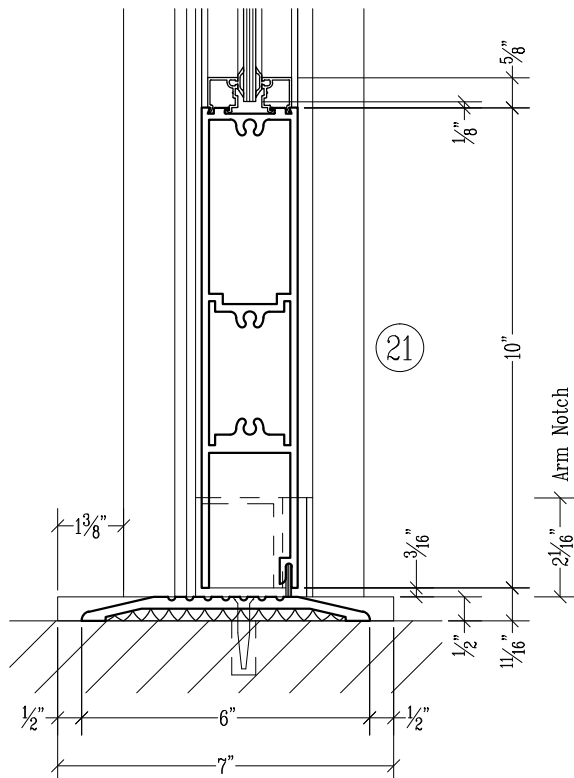
**Concealed Shafts / Multi-Light Door and Framed Sidelight / Applied Glass Stops (D-2)**



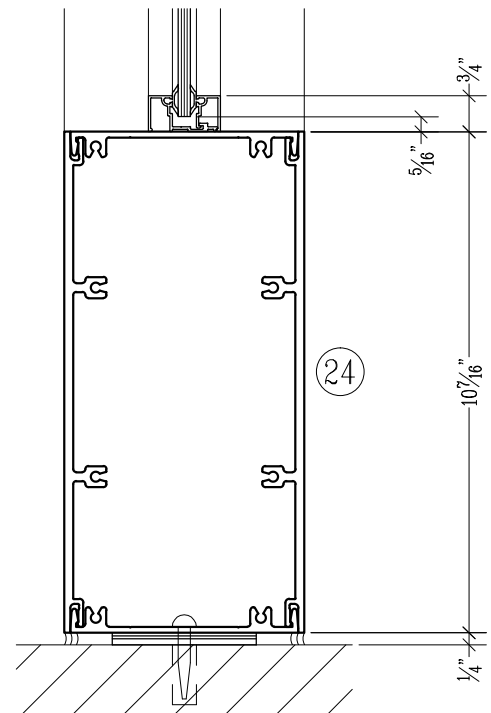
**Concealed Shafts / Multi-Light Door and Framed Sidelight / Applied Glass Stops (D-2)**



PULL SIDE



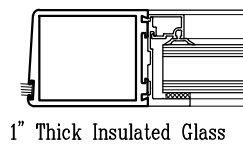
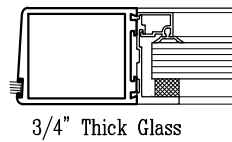
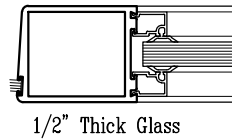
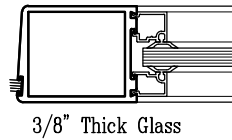
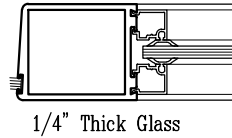
PULL SIDE



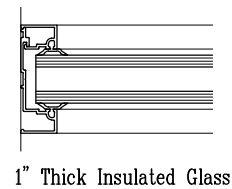
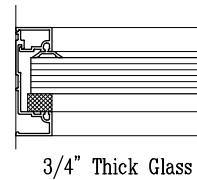
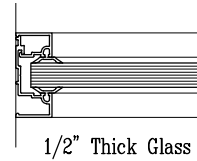
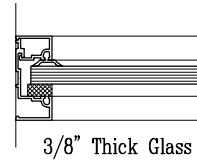
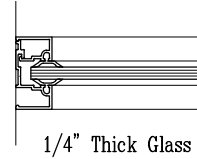
SCALE: 1/4" = 1"

**EXTRUDED ALUMINUM GLASS STOPS FOR DOORS AND FRAMES.**  
(consult factory for special glass thickness)

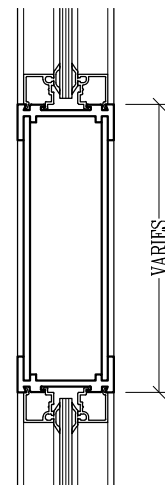
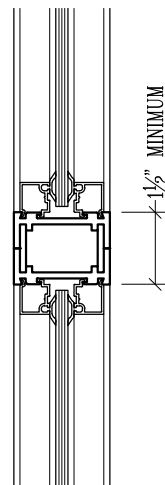
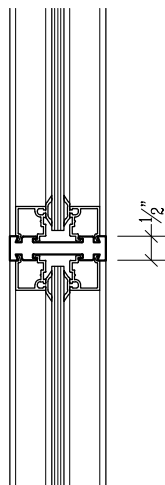
**Door Glass**



**Frame Glass**



EXTRUDED ALUMINUM MID-RAILS FOR DOORS (1/4" GLASS SHOWN).

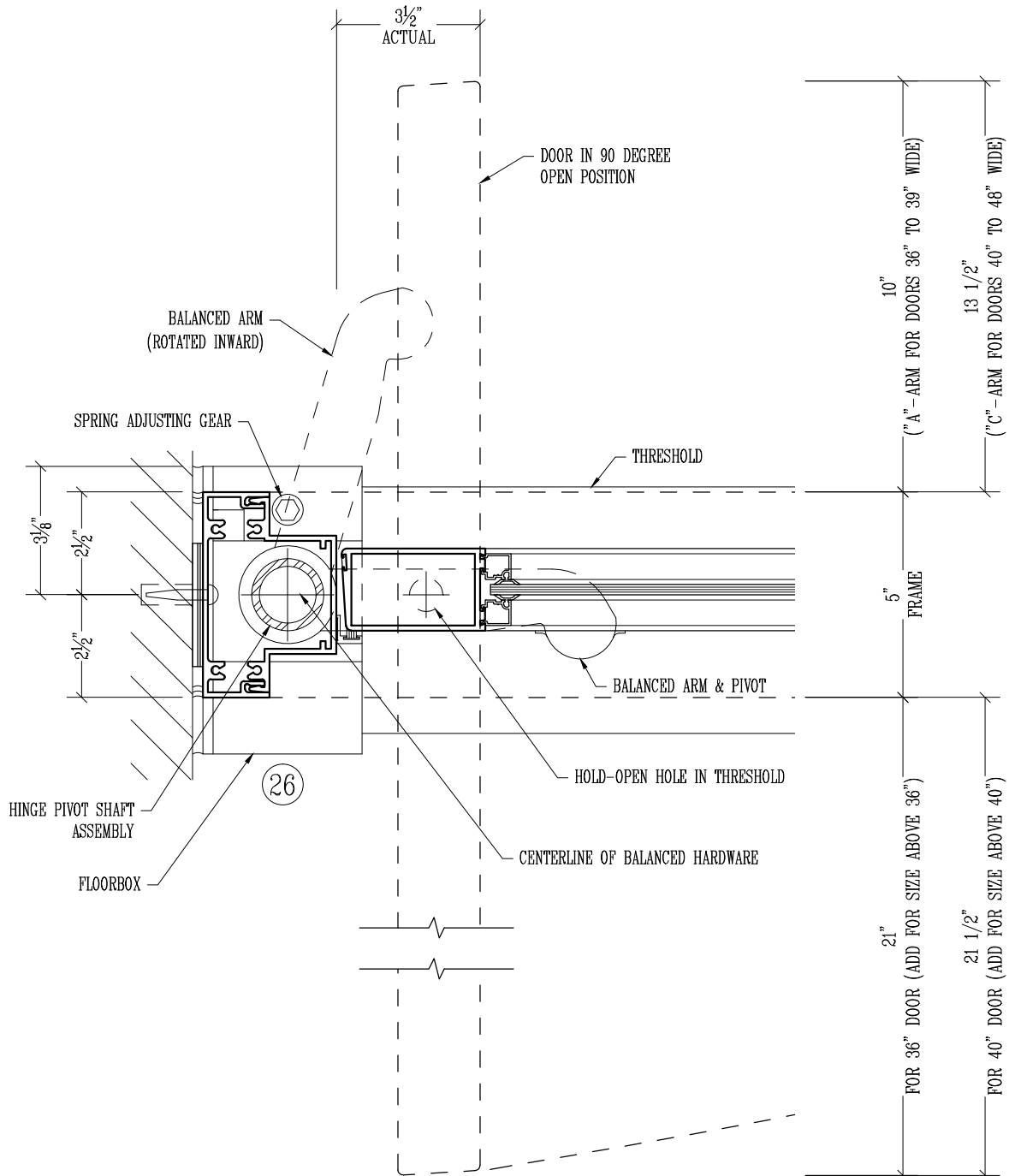




**Concealed Shafts (D-1 & 2)**

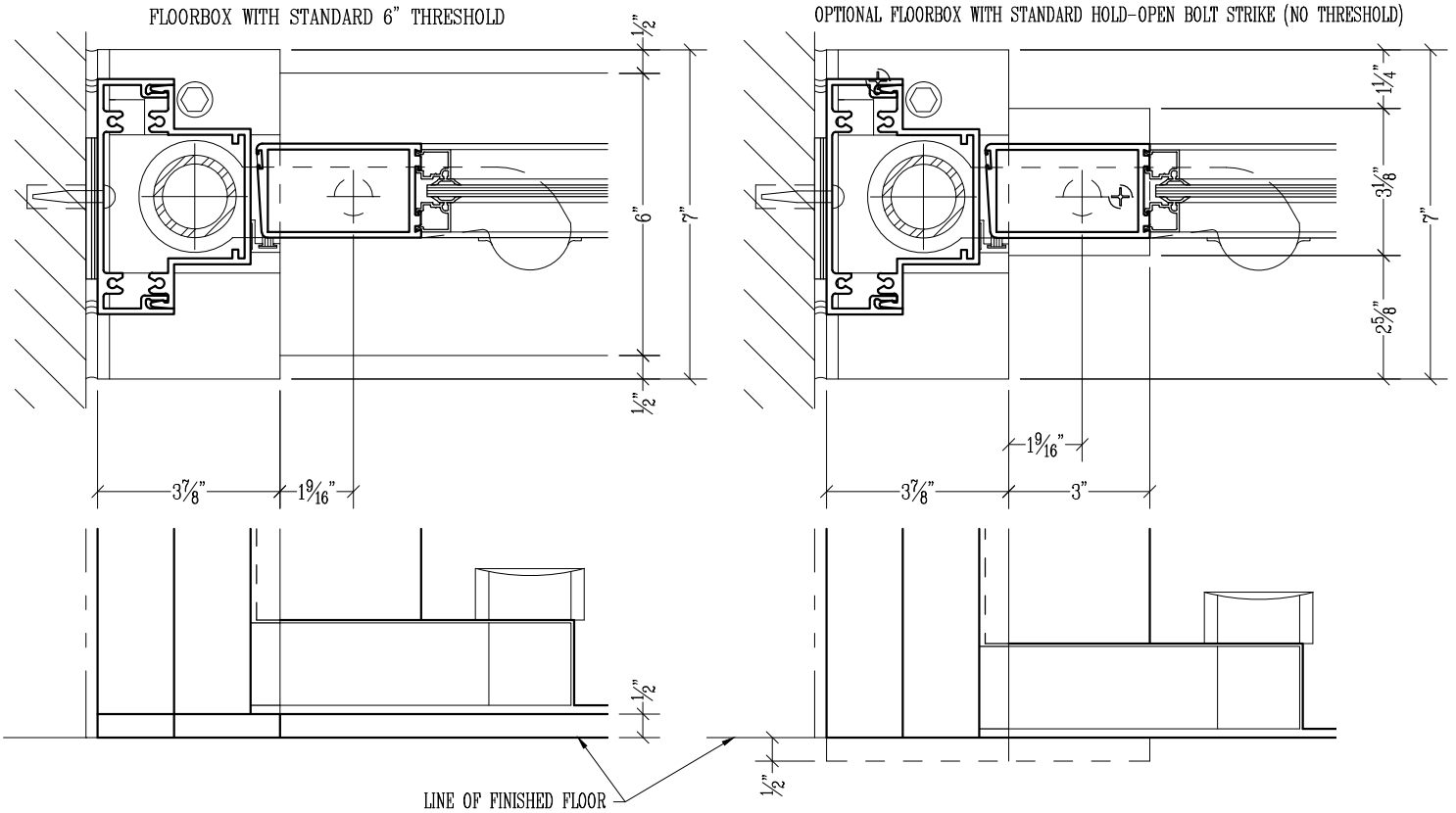
NOTES:

1. Balanced hardware arm and door shown dotted, in the open position ("A" arm size shown).



**Concealed Shafts (D-1 & 2)**

TYPICAL FLOORBOX LAYOUT AT HINGE JAMB.



**AVAILABLE THRESHOLD OPTIONS:**

- 1/2" x 6" Extruded thresholds are available in Aluminum (A), Bronze (B) and Nickel Silver (NS).
- 1/2" x 6" Formed-up stainless steel or bronze saddle type threshold shown (formed-up type can be made in different sizes & profiles consult factory).

