

GENERAL DRAWING NOTES:

1. Material:

- a. Extruded aluminum alloy 6063-T6 with a minimum wall thickness of 1/8".

2. Finishes:

- a. Available in anodized, kynar painted and powder coat paint finishes.

3. Doors:

- a. Standard door thickness is 2" nominal.
- b. Available stile width: 1".
- c. Available top rail heights: 4 3/4".
- d. Available bottom rail heights: 4 3/4" and 10" (10" recommended to comply with 2004 ADA guidelines).

4. Frames:

- a. See details following for 3" x 6" profile.
- b. Optional 3" x 5" Profile available (the 1" reduction is taken off the pull side), see details 1A, 7A, 12A & 17A on Page 10.
- c. Optional 1 1/8" x 6" (or 5") nominal Profile header available, see detail 28B on Page 12.

Note: mortise is required at surrounding material for balanced hardware.

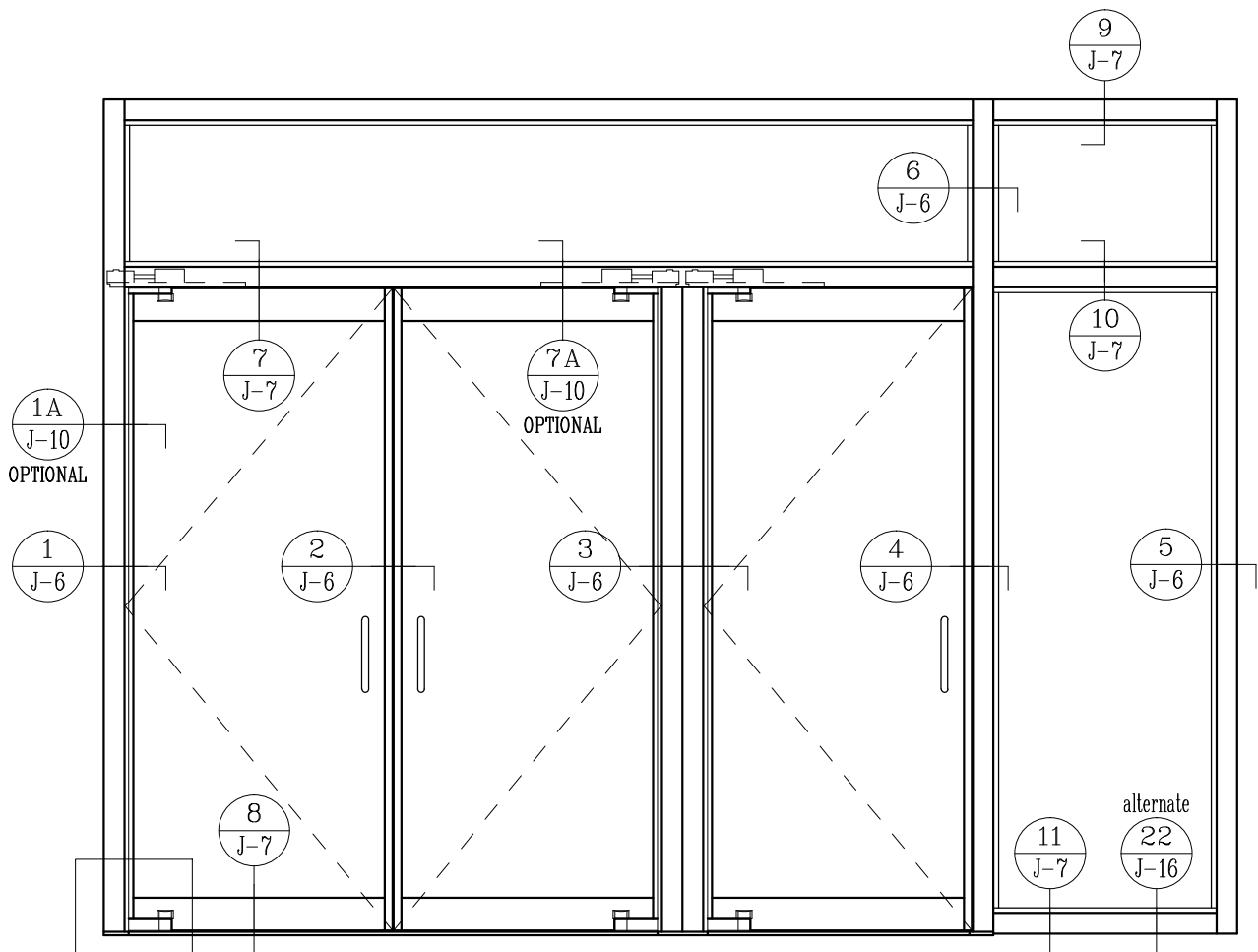
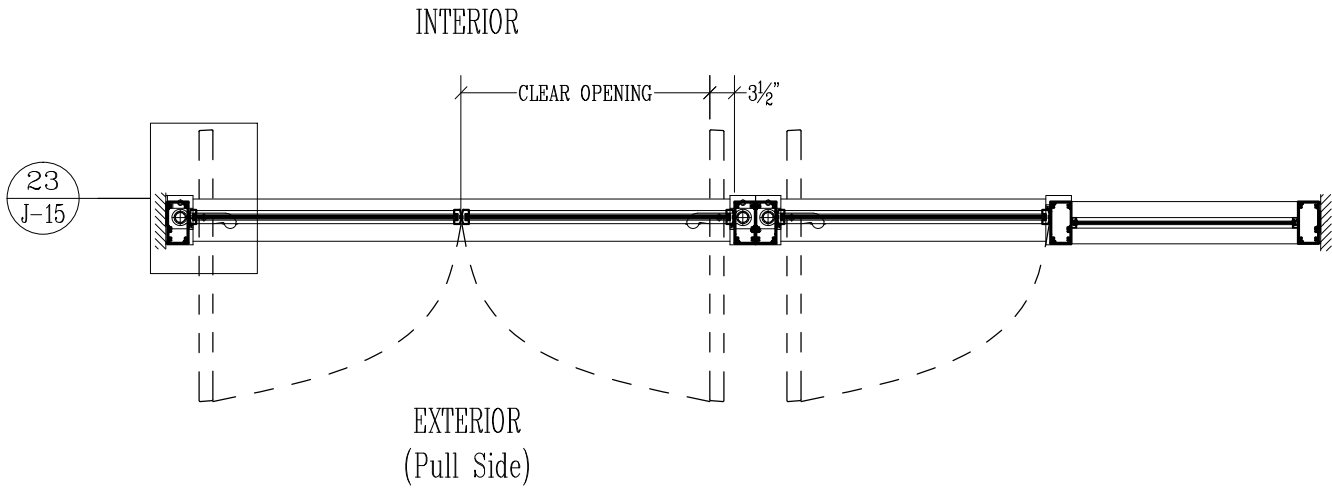
- d. Glass thickness may vary as desired. See details on page 14.
- e. Glass location may vary as desired. See detail 4 on page 6, and 16 on page 8.*
- f. For multi-light/true divided light construction (J-2), intermediate vertical and horizontal muntins (1/2" x 2" minimum) see details 15 on page 8 and 20 on page 9.

5. Threshold and floorbox types: see details on pages 16 & 18.

6. Door in open position and door projection: see detail 23 on page 15 and detail 34 on page 17.

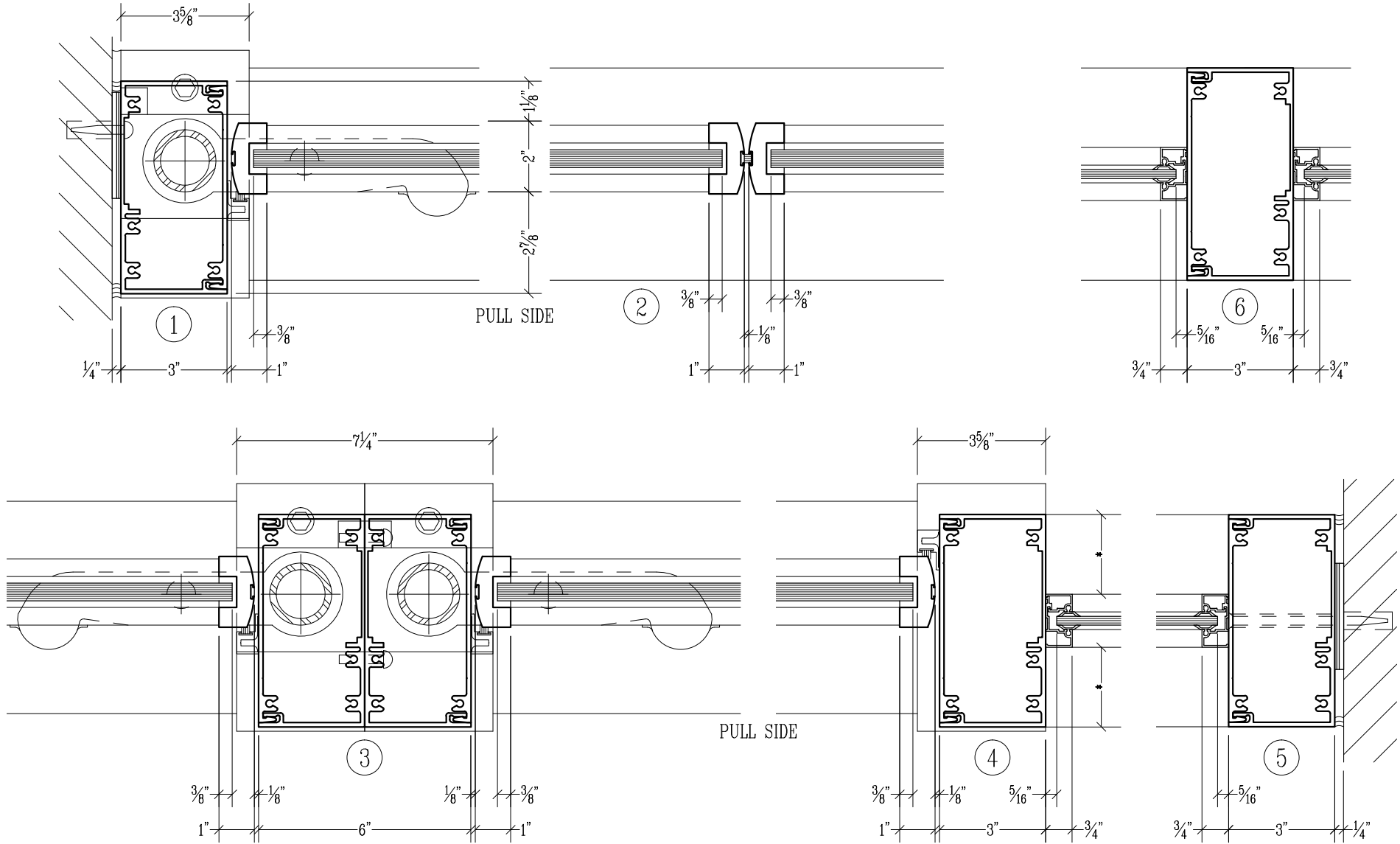
7. Further information: Refer to specifications following, miscellaneous items section M, curtainwall applications section L, or consult the factory.

Concealed Shafts / Framed Sidelight and Transom (J-1)

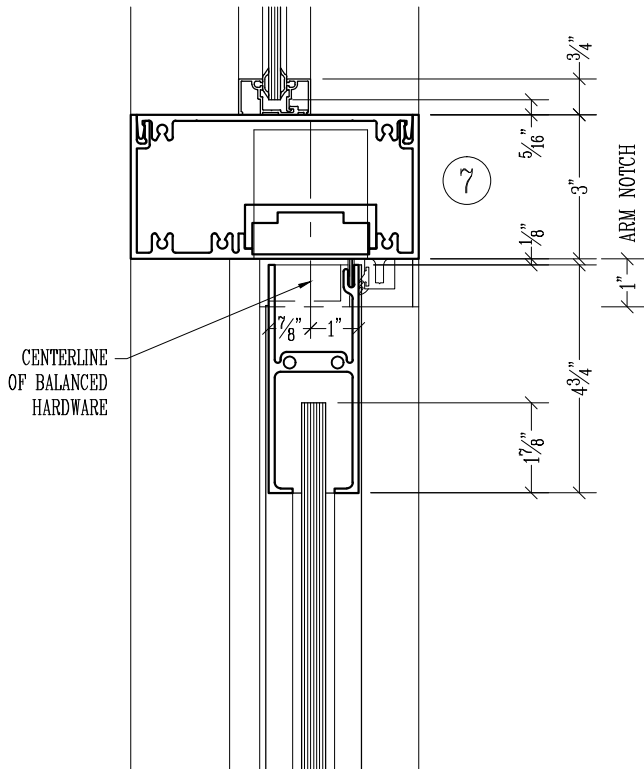


SEE PAGE #16 FOR FLOORBOX DETAILS
(WITH AND WITHOUT THRESHOLD)

Concealed Shafts / Framed Sidelight and Transom (J-1)

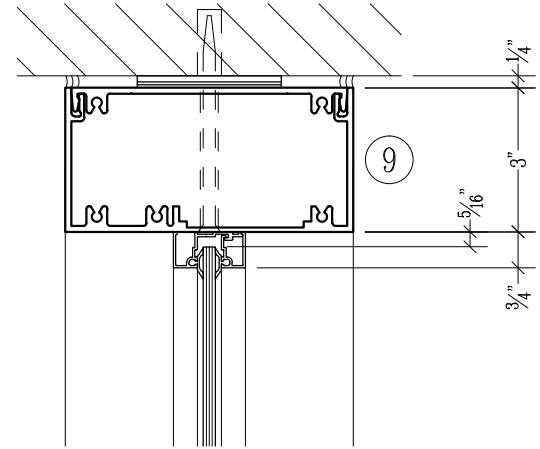
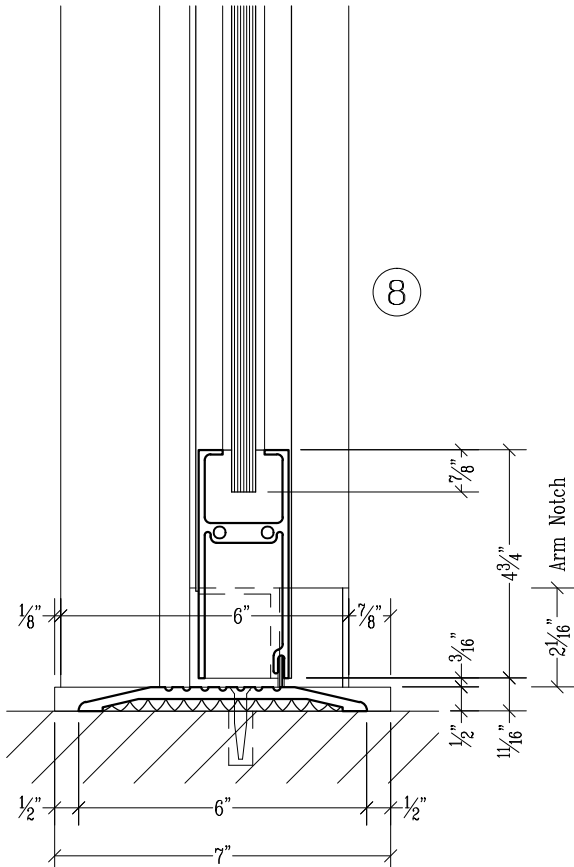


Concealed Shafts / Framed Sidelight and Transom (J-1)

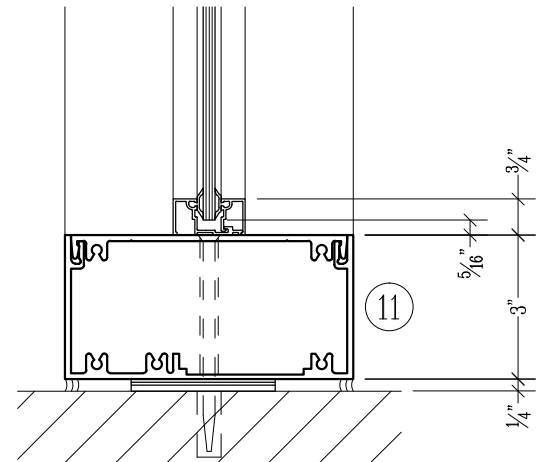
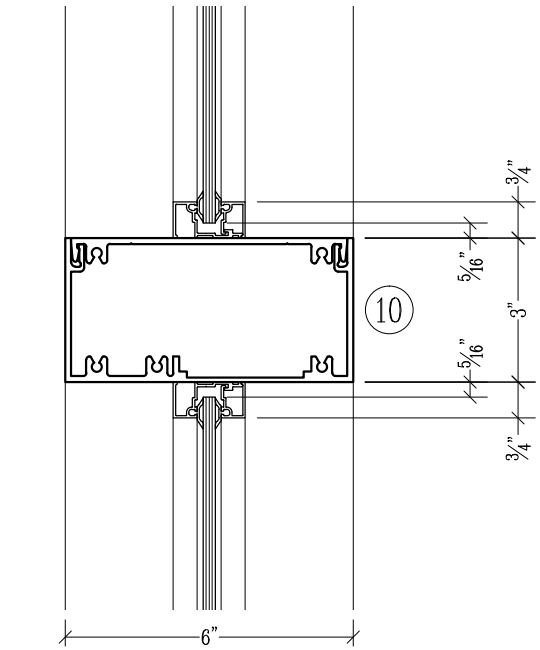


CENTERLINE
OF BALANCED
HARDWARE

PULL SIDE

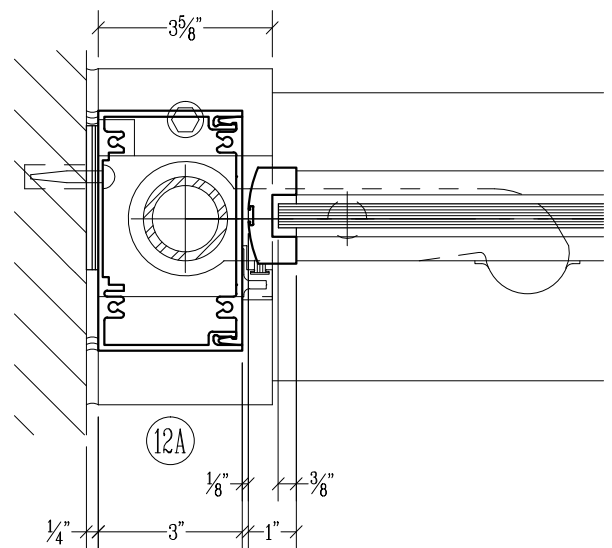
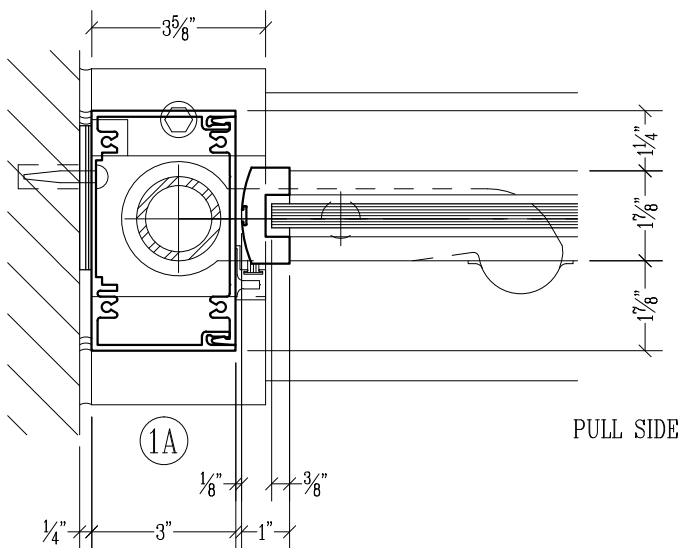
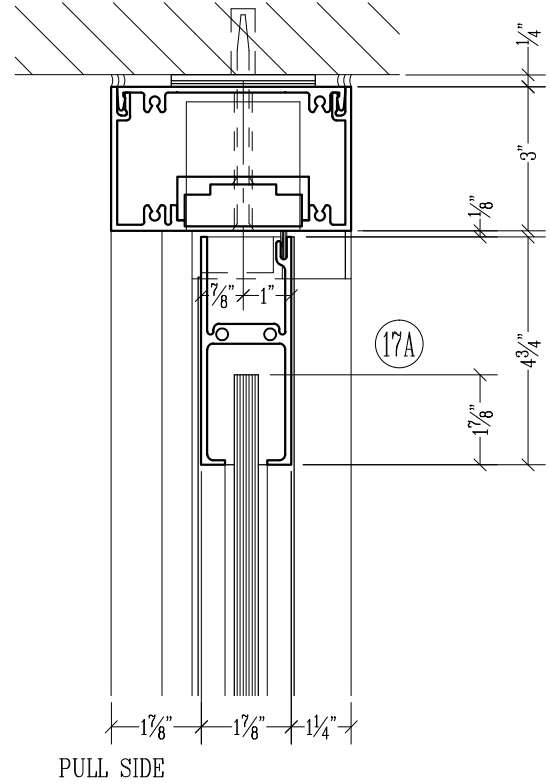
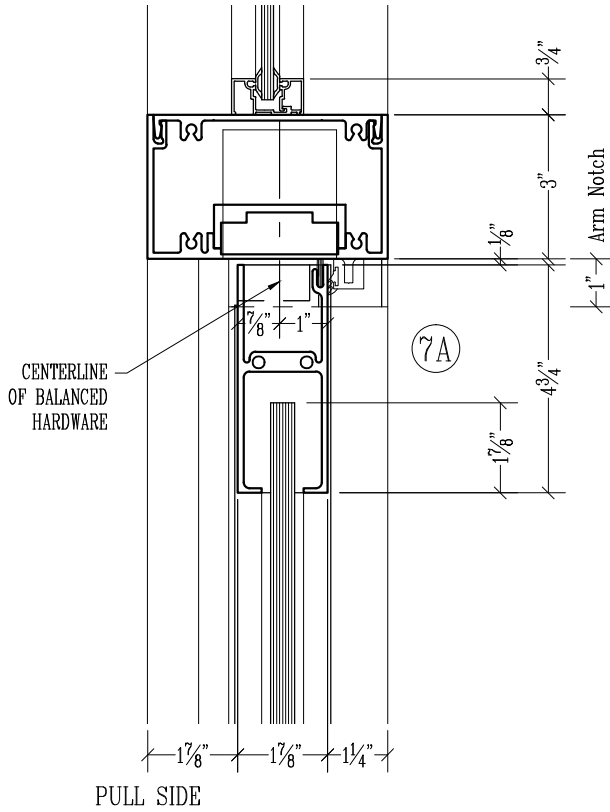


PULL SIDE



SCALE: $\frac{1}{4}$ " = 1 "

Concealed Shafts / Optional 5" Deep Framing (J-1 & 2)

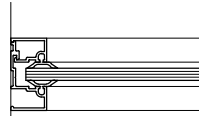


SCALE: 1/4" = 1"

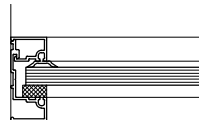
EXTRUDED ALUMINUM GLASS STOPS FOR FRAMES.
(consult factory for special glass thickness)

(J-1 & 2)

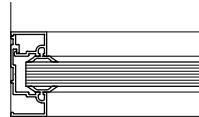
Frame Glass
(Applied Stops)



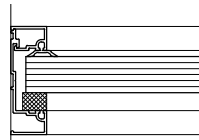
1/4" Thick Glass



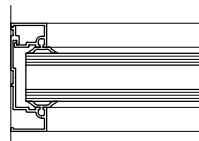
3/8" Thick Glass



1/2" Thick Glass



3/4" Thick Glass



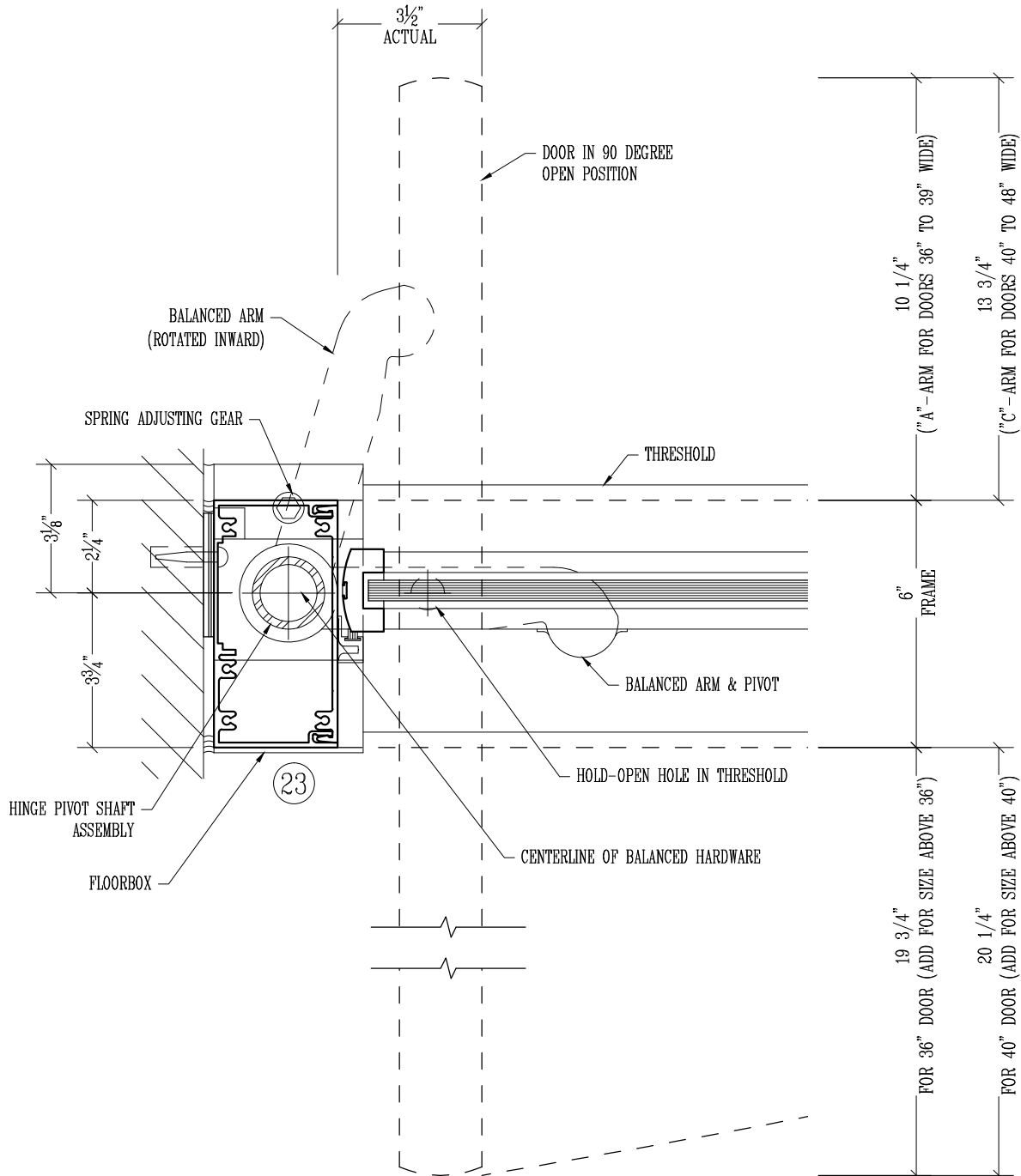
1" Thick Insulated Glass

SCALE: 1/4" = 1"

Concealed Shafts (J-1 & 2)

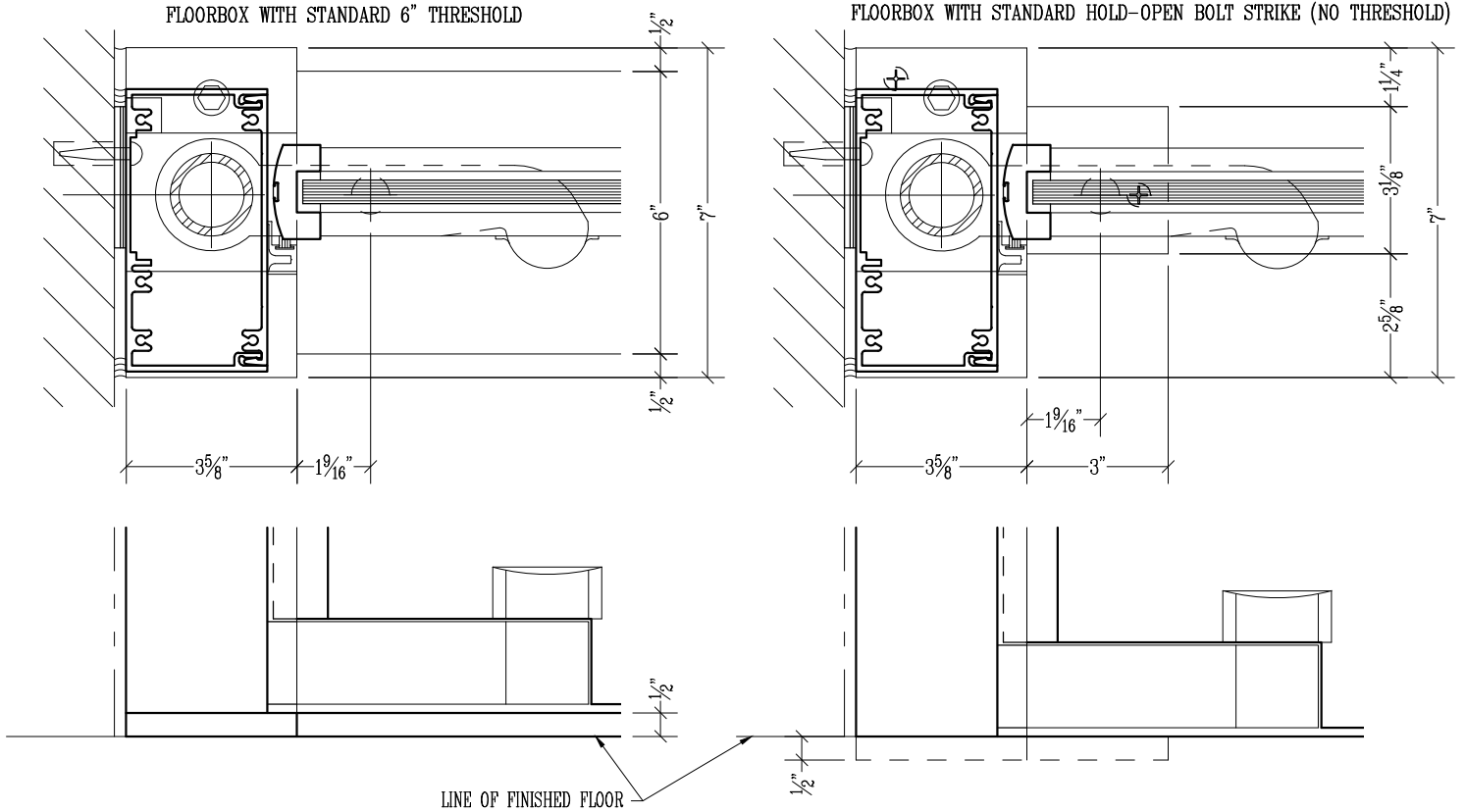
NOTES:

1. Balanced hardware arm and door shown dotted, in the open position ("A" arm size shown).



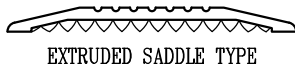
Concealed Shafts (J-1 & 2)

TYPICAL FLOORBOX LAYOUT AT HINGE JAMB.



AVAILABLE THRESHOLD OPTIONS:

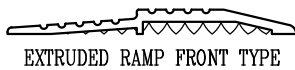
- 1/2" x 6" Extruded thresholds are available in Aluminum (A), Bronze (B) and Nickel Silver (NS).
- 1/2" x 6" Formed-up stainless steel or bronze saddle type threshold shown (formed-up type can be made in different sizes & profiles consult factory).



EXTRUDED SADDLE TYPE



EXTRUDED SQUARE BACK TYPE



EXTRUDED RAMP FRONT TYPE



FORMED-UP SADDLE TYPE

