

GENERAL DRAWING NOTES:

1. Material:

- a. Muntz Metal Alloy Number 280 or Naval Brass Alloy Number 464 with a minimum wall thickness of 3/32" (.09").

2. Finishes:

- a. Available in Polished, Satin, Non-Directional (Jitterbug) & Bead Blasted finishes.

3. Doors:

- a. Standard door thickness is 2".
- b. Available stile widths: 2-3/4" minimum.
- c. Available top rail heights: 2-3/4" minimum.
- d. Available bottom rail heights: 6" minimum (10" recommended to comply with 2004 ADA guidelines).
- e. Center rail minimum is 1-1/2" (per detail 8 on page 7).
- f. For applied glass stop configuration (B-1, B-2 & B-4), the Interior side stops are screw applied and can accommodate most glass thickness (special glass sizes can be accommodated, see page 15 or consult factory).
- g. For flush glazed glass stop configuration (B-3), requires one screw applied removable bar stop at interior of door at top or bottom rail (special glass sizes can be accommodated, see page 15 or consult factory).

4. Frames:

- a. See details following for 3" x 6" nominal profile.
- b. Optional 3" x 5" nominal Profile available (the 1" reduction is taken off the pull side), see details 1A, 7A, 13A & 19A on Page 10 and detail 41A on page 14.
- c. Optional 1 1/8" x 6" (or 5") nominal Profile header available, see detail 41B on Page 14. Note: mortise is required at surrounding material for balanced hardware.
- d. For applied glass stop configuration the glass thickness may vary as desired. See details on page 15.
- e. For applied glass stop configuration (B-1, B-2 & B-4), the glass location may vary as desired. See detail 4 on page 6, and 18 on page 8.*
- f. For flush glazed stop configuration (B-3), see details on pages 11 and 12.

- 5. Door & Frame:** For multi-light/true divided construction (B-2), intermediate vertical and horizontal muntins (1/4" x 2" minimum), see page 15 and details 14 & 17 on page 8, and 20 & 23 on page 9.

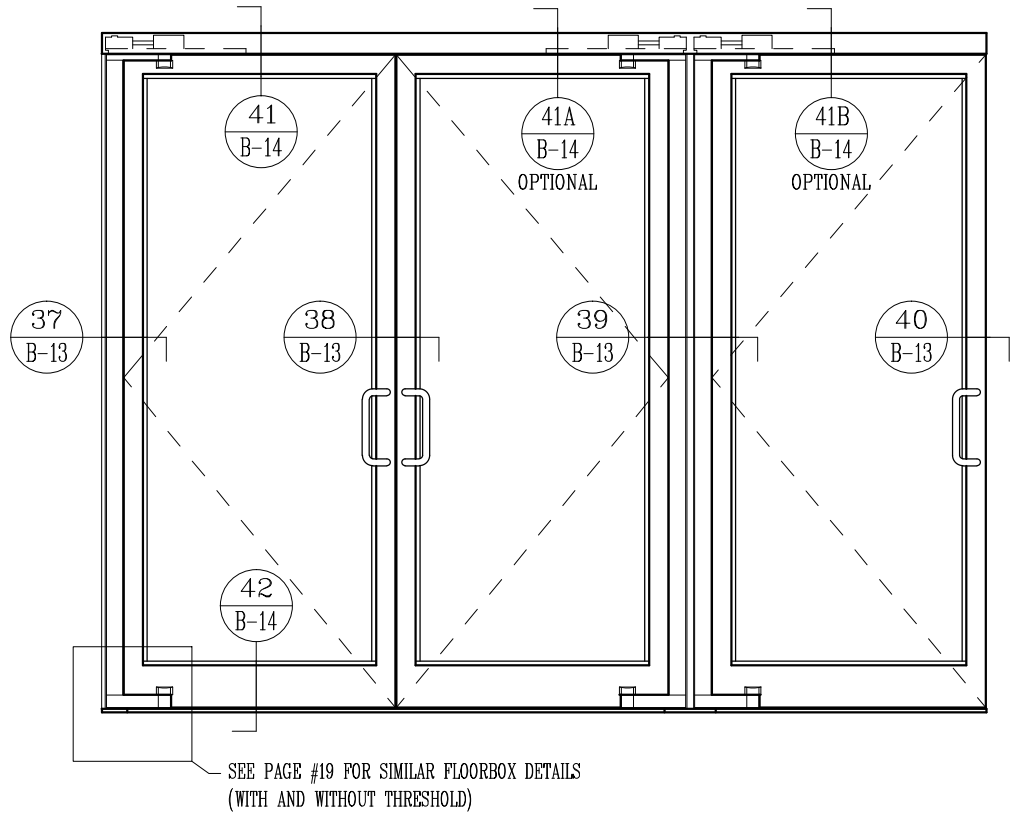
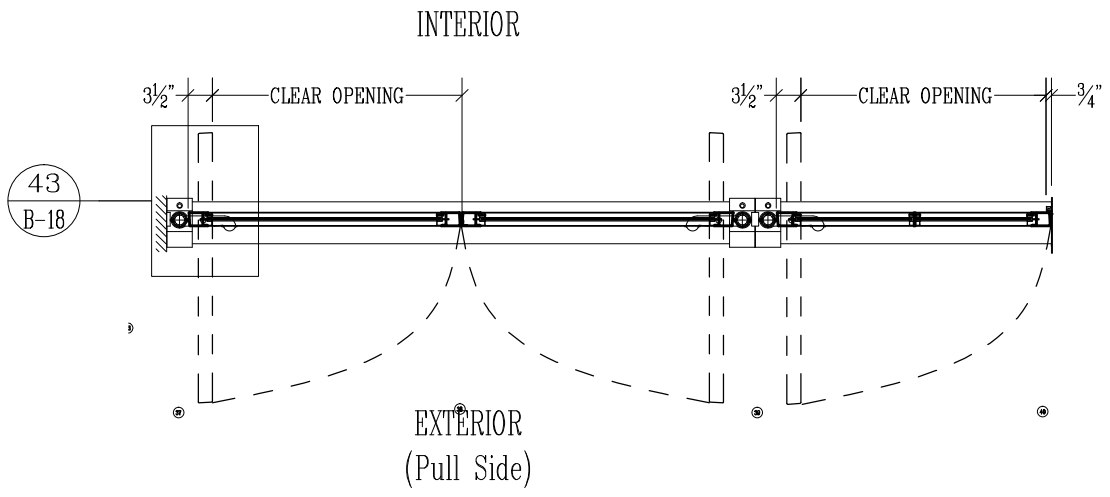
- 6. Threshold and floorbox types:** see details on page 17 & 19.

- 7. Door in open position and door projection:** see detail 36 on page 16 and detail 43 on page 18.

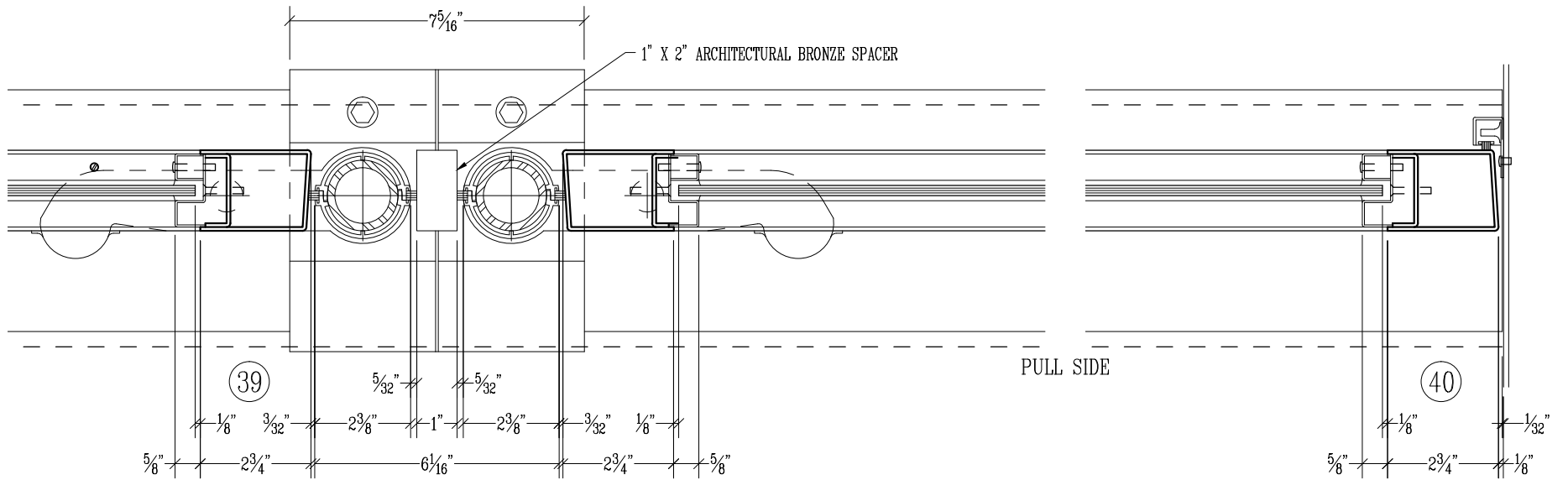
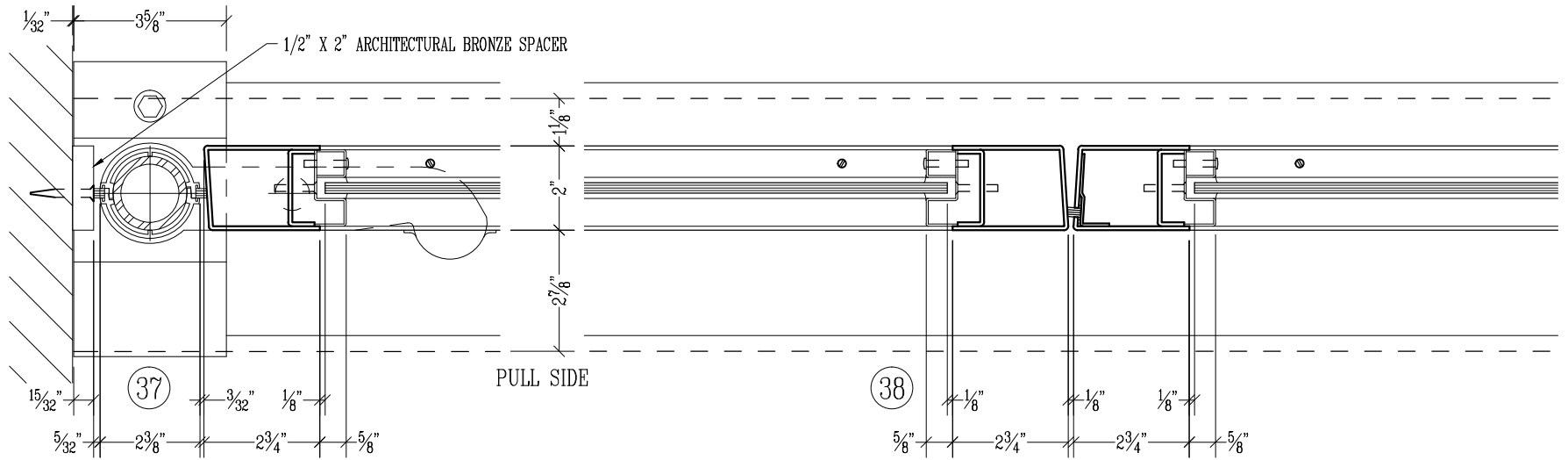
- 8. Grilles** available, consult factory.

- 9. Further information:** Refer to specifications following, miscellaneous items section M, curtainwall applications section L, or consult the factory.

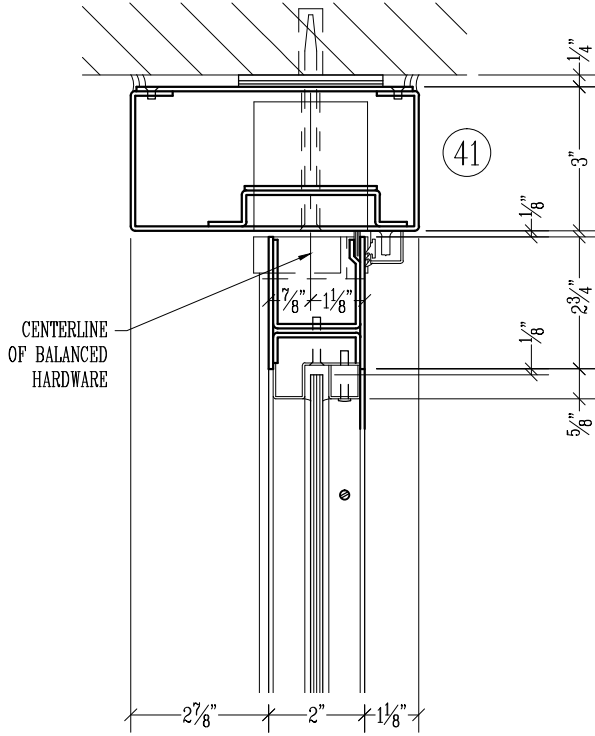
Exposed Shafts / Header / Applied Glass Stops (B-4)



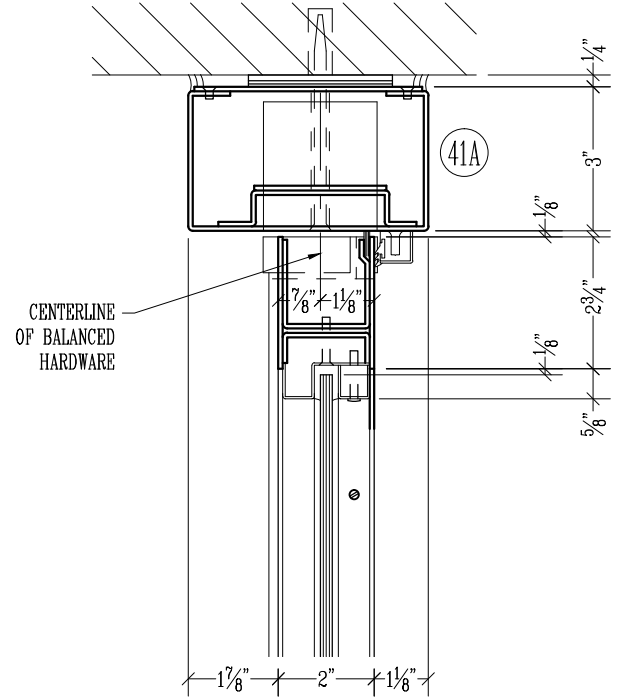
Exposed Shafts / Header / Applied Glass Stops (B-4)



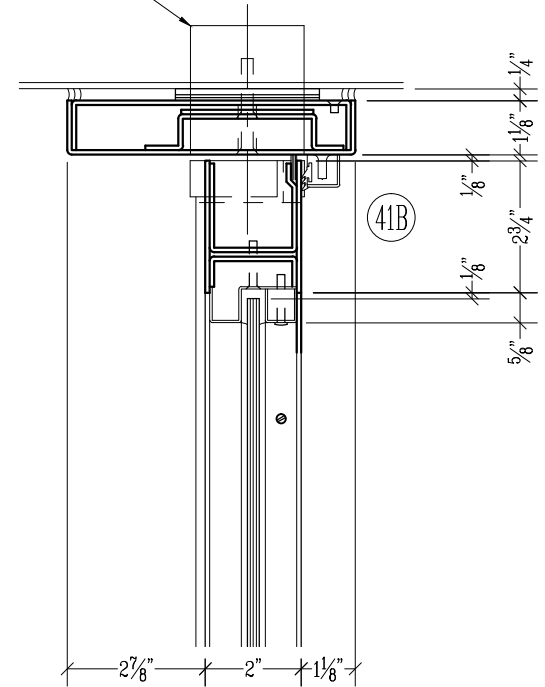
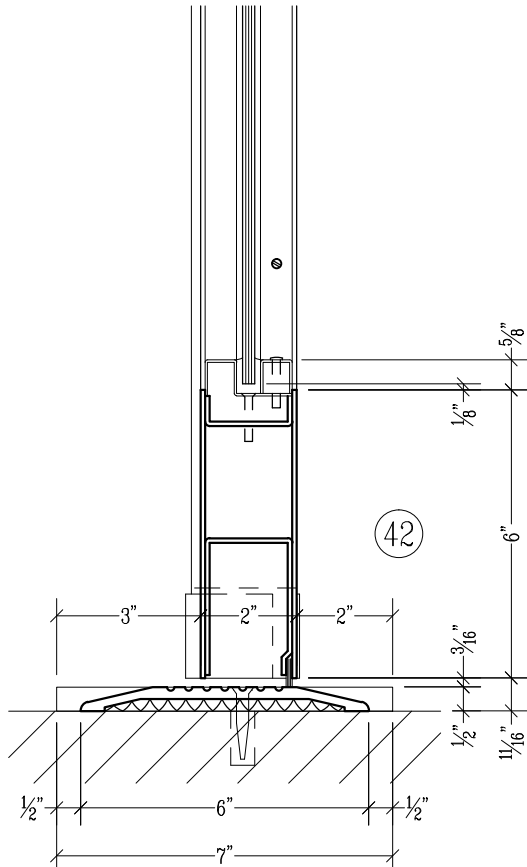
Exposed Shafts / Header / Applied Glass Stops (B-4)



PULL SIDE



MORTISE REQUIRED FOR
BALANCED HARDWARE
AT HEAD



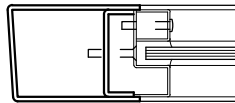
PULL SIDE

SCALE: 1/4" = 1"

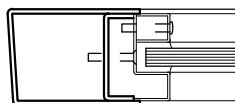
FORMED-UP BRONZE GLASS STOPS FOR DOORS AND FRAMES.
(consult factory for special glass thickness)

(B-1, 2, 3 & 4)

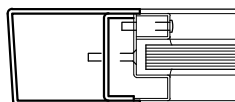
Door Glass
(Applied Stops)



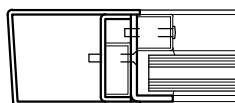
1/4" Thick Glass



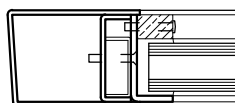
3/8" Thick Glass



1/2" Thick Glass

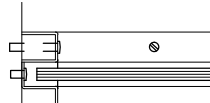


3/4" Thick Glass

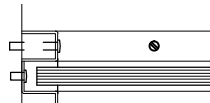


1" Thick Insulated Glass

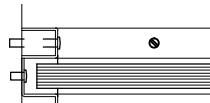
Frame Glass
(Applied Stops)



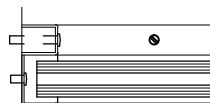
1/4" Thick Glass



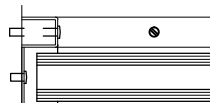
3/8" Thick Glass



1/2" Thick Glass

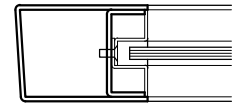


3/4" Thick Glass

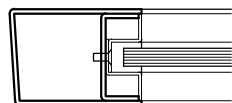


1" Thick Insulated Glass

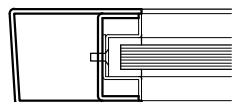
Door Glass
(Flush Glazed Stops)



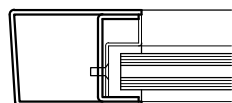
1/4" Thick Glass



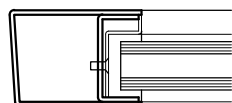
3/8" Thick Glass



1/2" Thick Glass

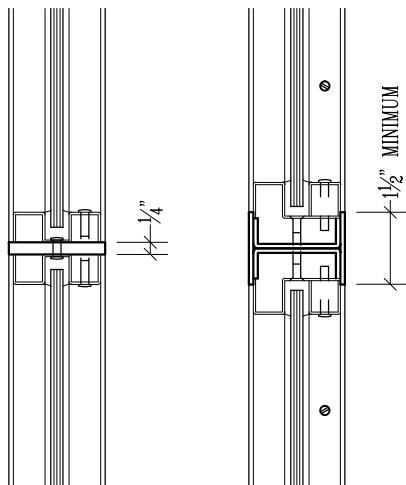


3/4" Thick Glass

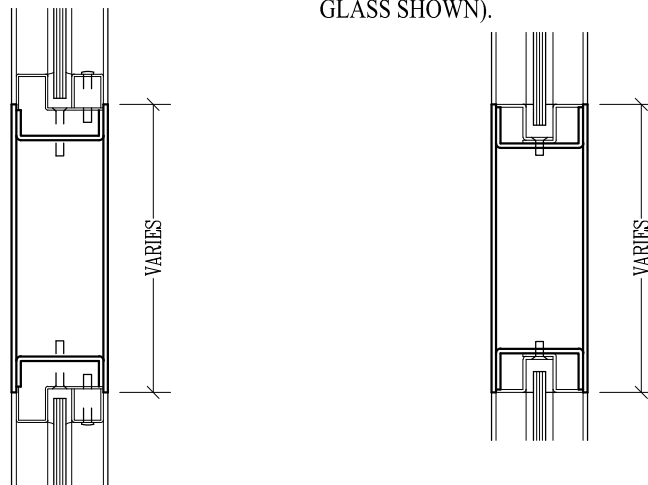


1" Thick Insulated Glass

FORMED-UP BRONZE MID-RAILS FOR DOORS
WITH APPLIED STOPS (1/4" GLASS SHOWN).



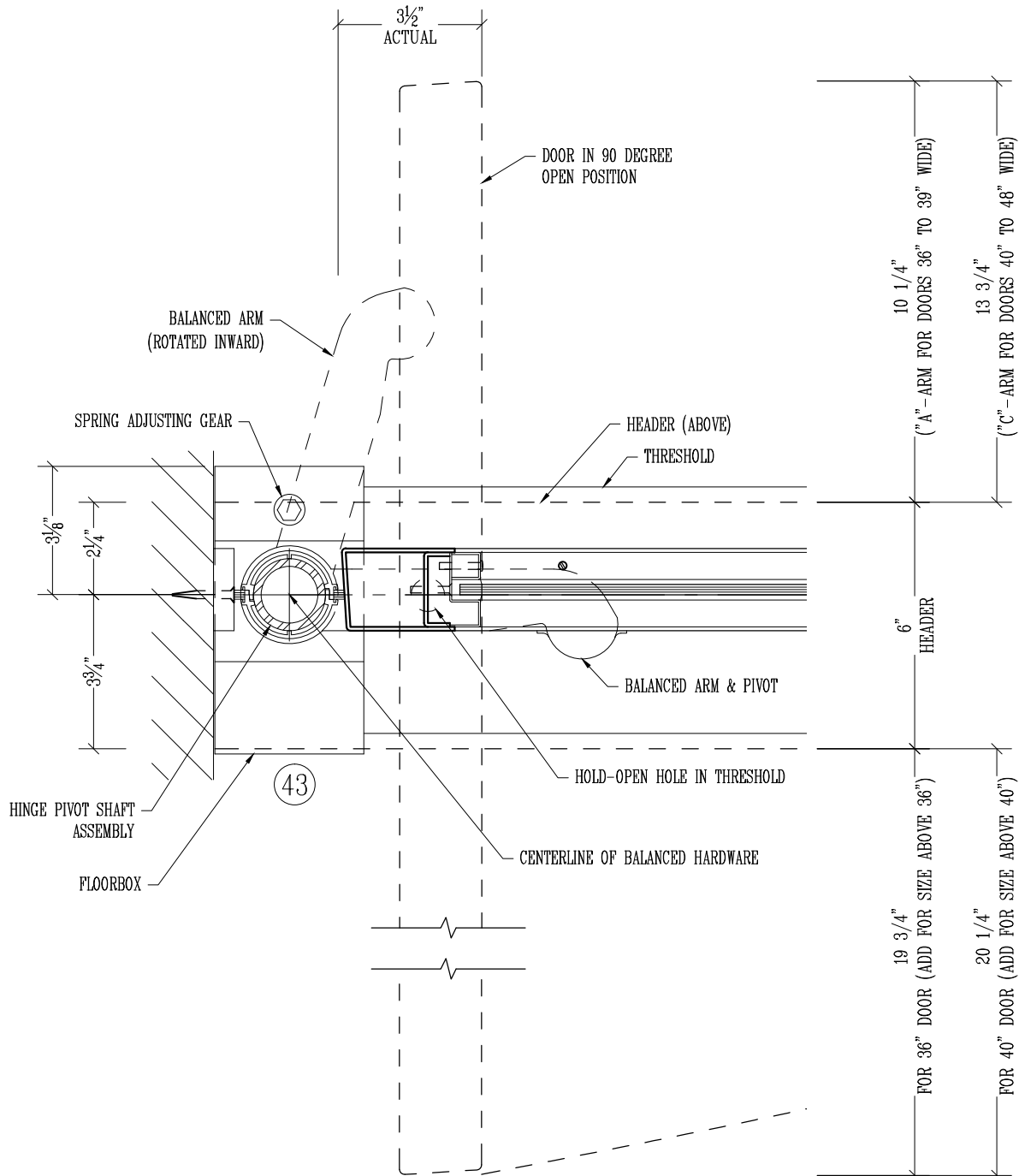
FORMED-UP BRONZE MID-RAILS FOR DOORS
WITH FLUSH GLAZED STOPS (1/4" GLASS SHOWN).



Exposed Shafts (B-4)

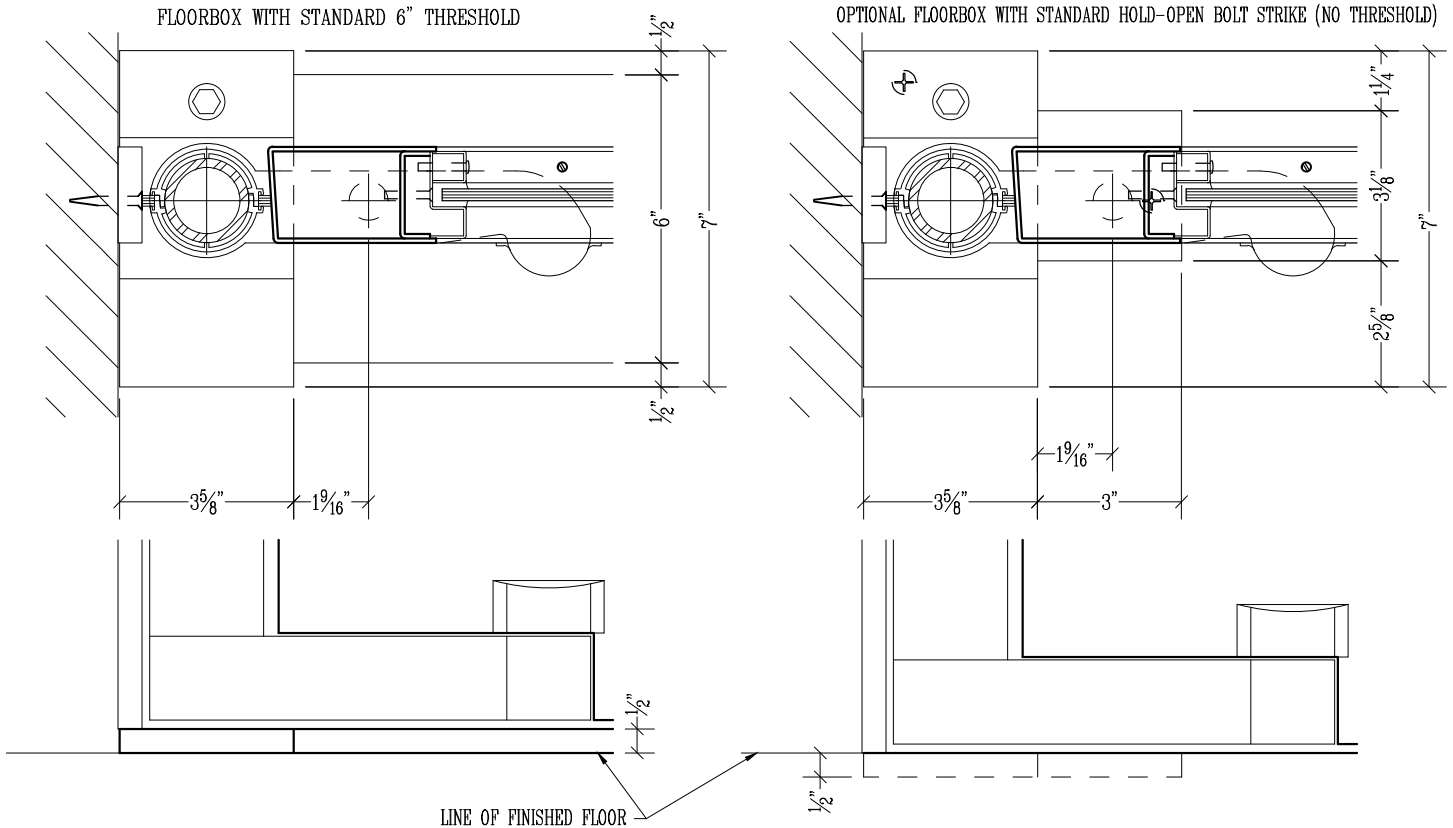
NOTES:

1. Balanced hardware arm and door shown dotted, in the open position ("A" arm size shown).



Exposed Shafts (B-4)

TYPICAL FLOORBOX LAYOUT AT HINGE JAMB.



AVAILABLE THRESHOLD OPTIONS:

1. 1/2" x 6" Extruded thresholds are available in Aluminum (A), Bronze (B) and Nickel Silver (NS).
2. 1/2" x 6" Formed-up stainless steel or bronze saddle type threshold shown (formed-up type can be made in different sizes & profiles consult factory).

