

GENERAL DRAWING NOTES:

1. Material:

- a. Extruded aluminum alloy 6063-T6 with a minimum wall thickness of 1/8".

2. Finishes:

- a. Available in anodized, kynar painted and powder coat paint finishes.

3. Doors:

- a. Standard door thickness is 2" nominal.
- b. Available top rail heights: 4 3/4".
- c. Available bottom rail heights: 4 3/4" and 10" (10" recommended to comply with ADA guidelines).

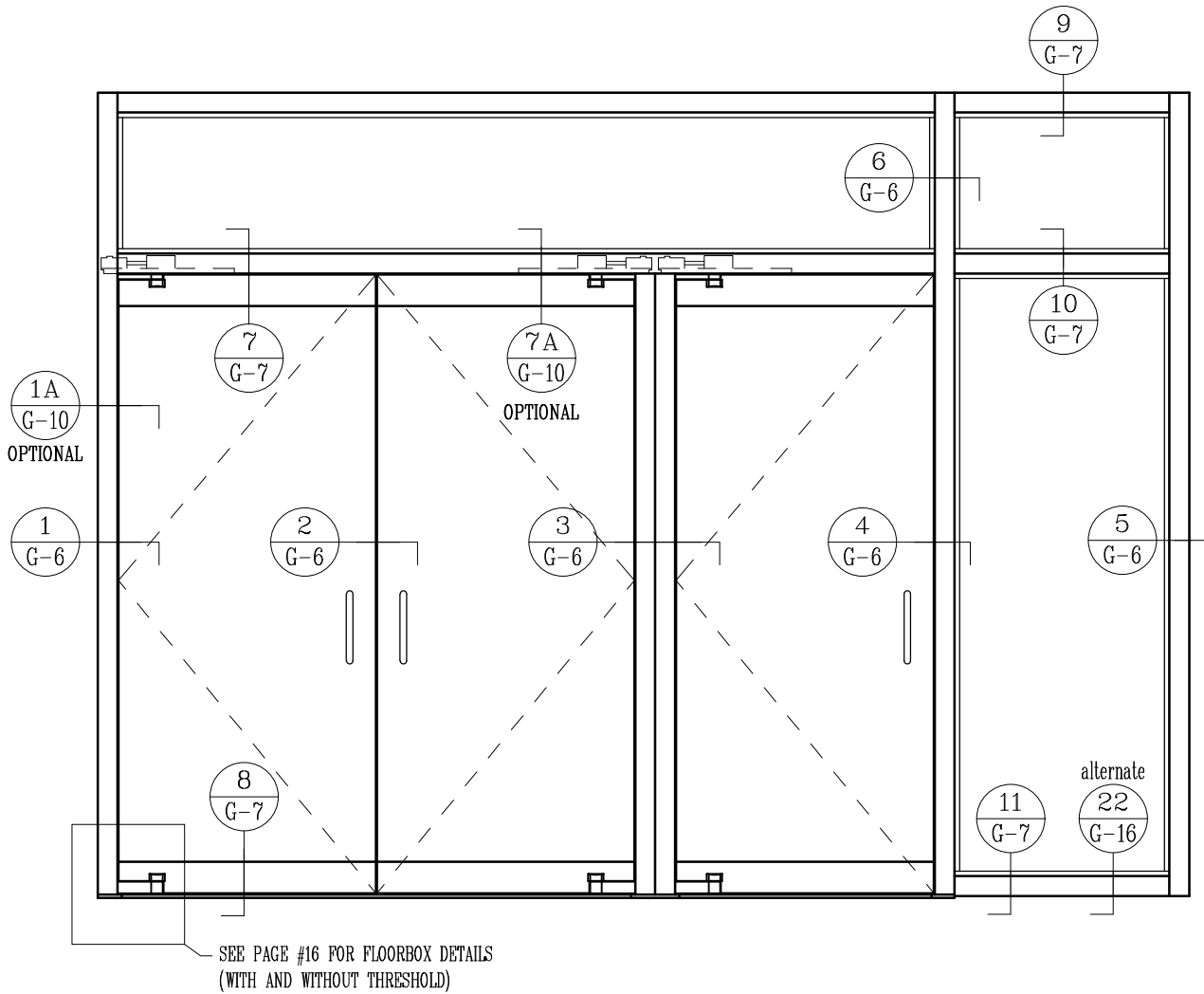
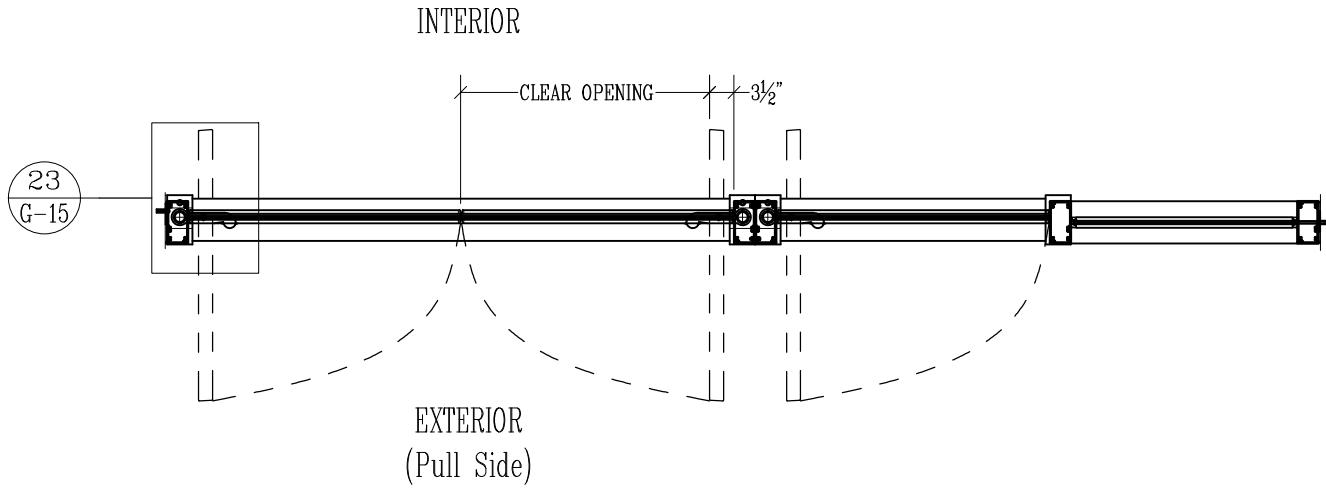
4. Frames:

- a. See details following for 3" x 6" profile.
- b. Optional 3" x 5" Profile available (the 1" reduction is taken off the pull side), see details 1A, 7A, 12A & 17A on Page 10.
- c. Optional 1 1/8" x 6" (or 5") nominal Profile header available, see detail 28B on Page 12.
Note: mortise is required at surrounding material for balanced hardware.
- d. Glass thickness may vary as desired. See details on page 14.
- e. Glass location may vary as desired. See detail 4 on page 6, and 16 on page 8.*
- f. For multi-light/true divided construction (G-2), intermediate vertical and horizontal muntins (1/2 x 2" minimum) see details 15 on page 8 and 20 on page 9.

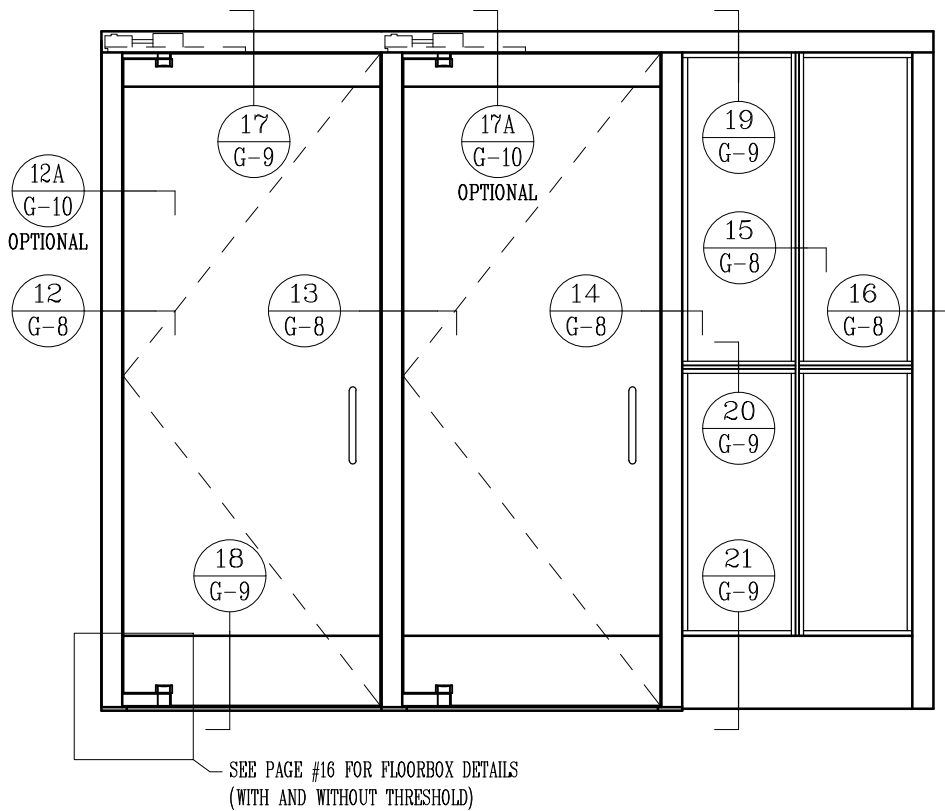
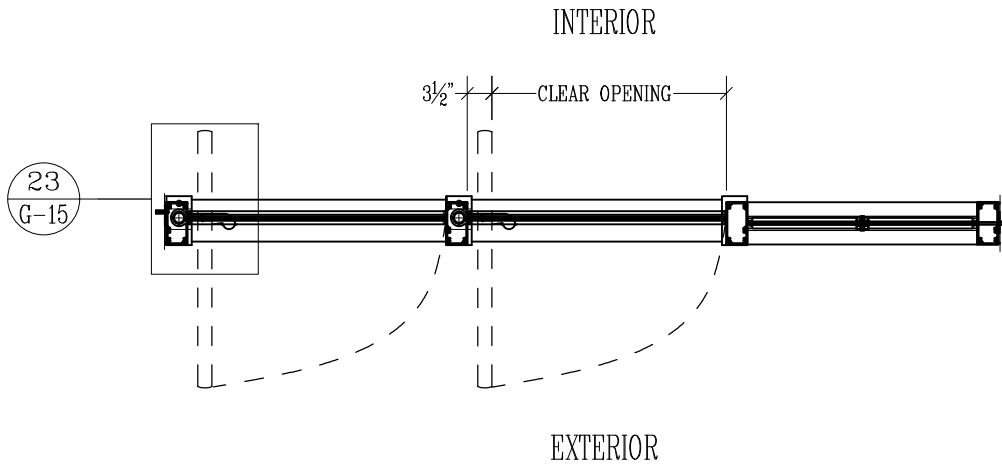
5. Threshold and floorbox types: see details on pages 16 & 18.

6. Door in open position and door projection: see detail 23 on page 15 and detail 34 on page 17.

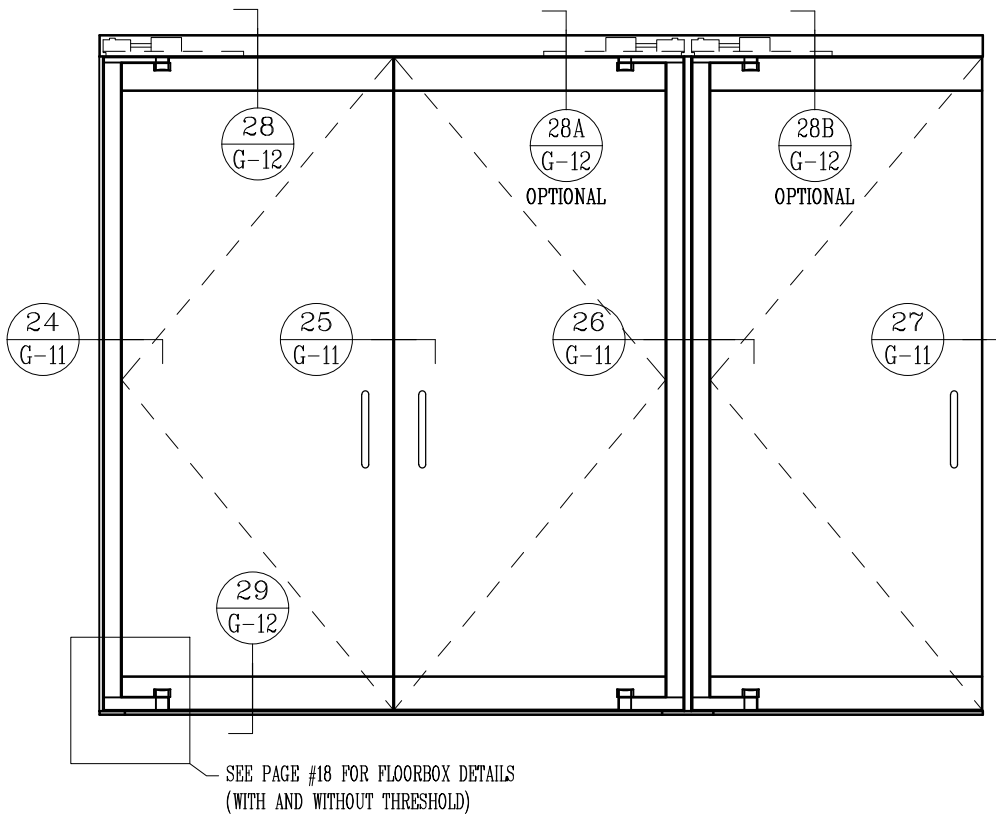
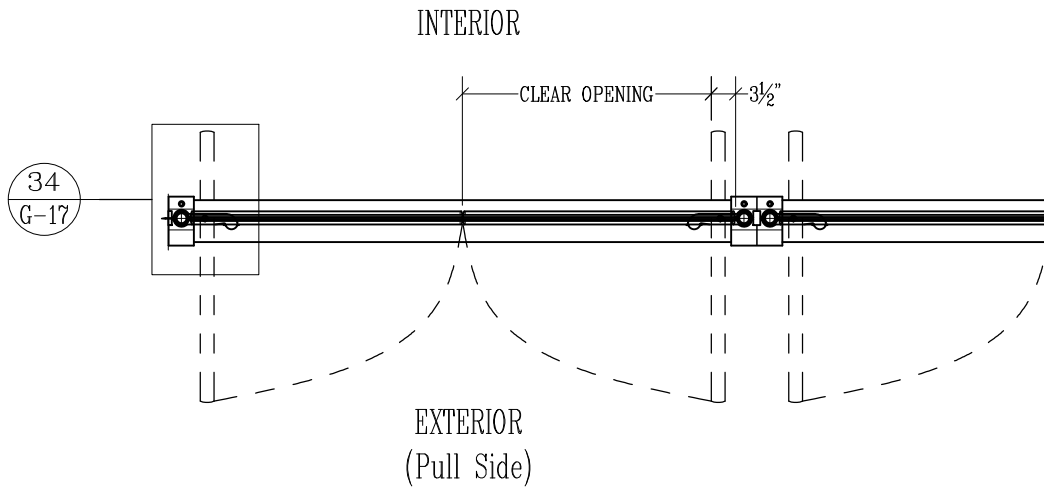
Concealed Shafts / Framed Sidelight and Transom (G-1)



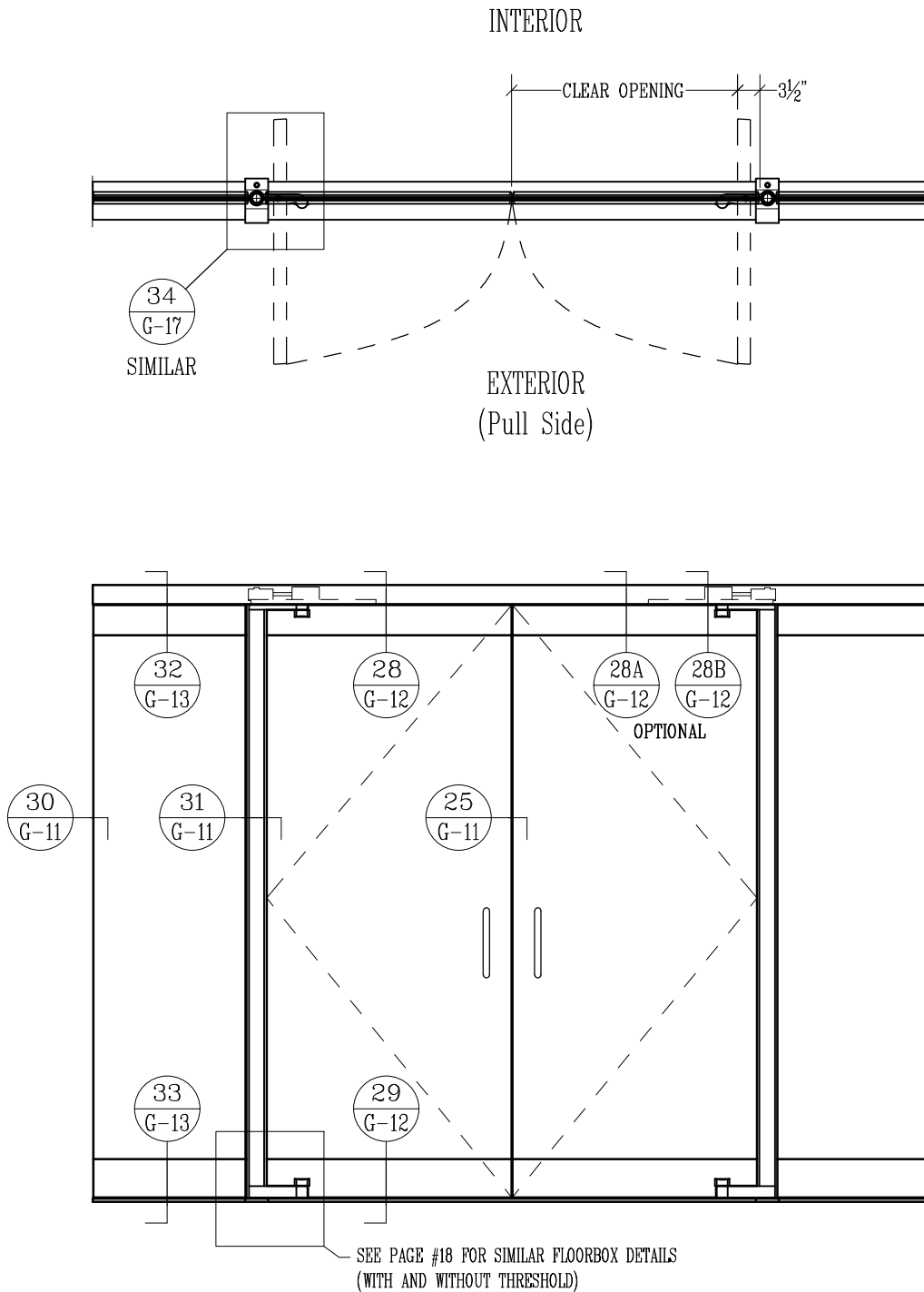
Concealed Shafts / Framed Multi-Light Sidelight (G-2)



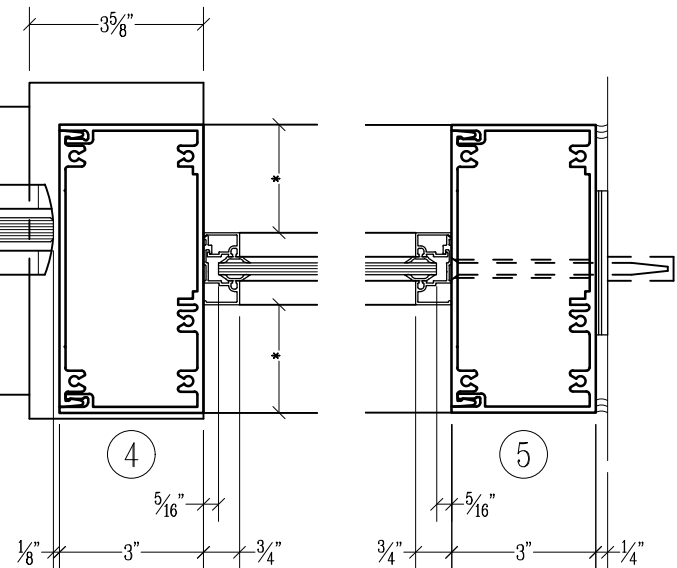
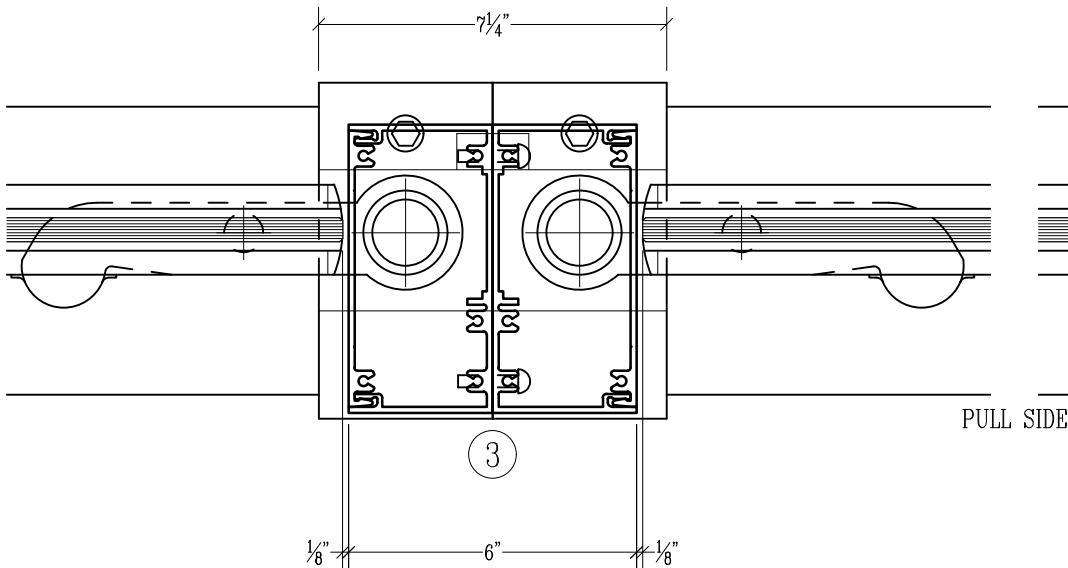
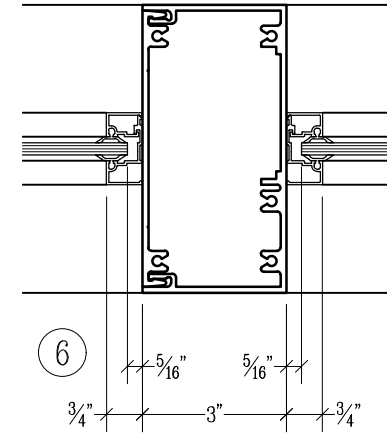
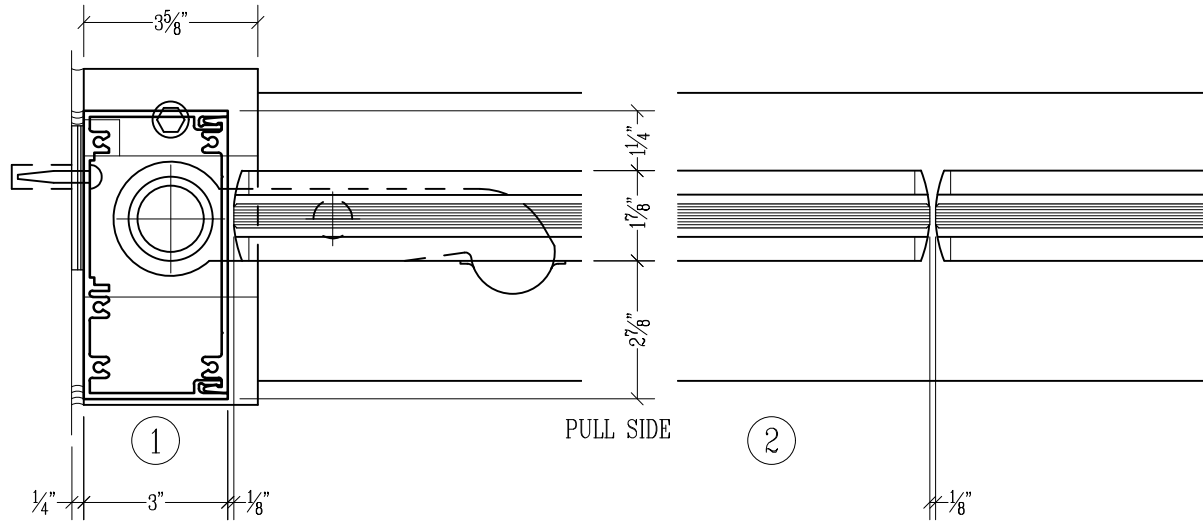
Exposed Shafts / Header (G-3)



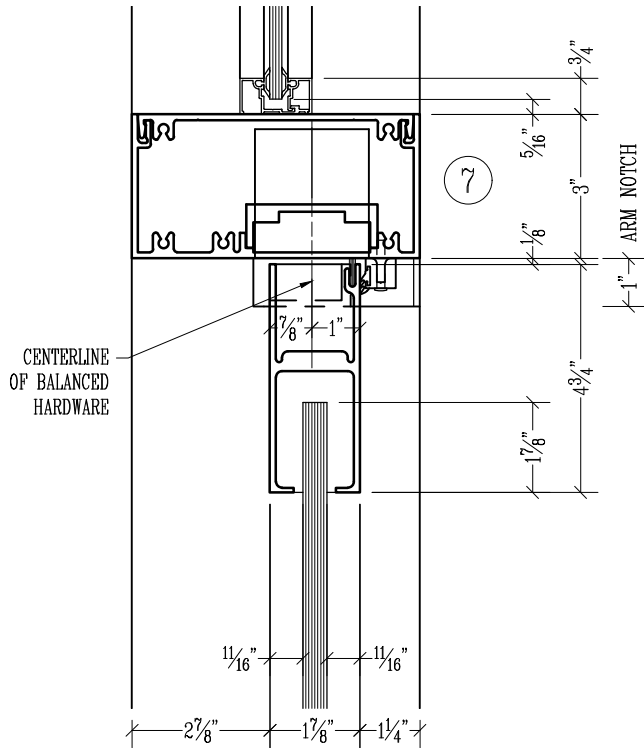
Exposed Shafts / Header / Tempered Glass Sidelights (G-4)



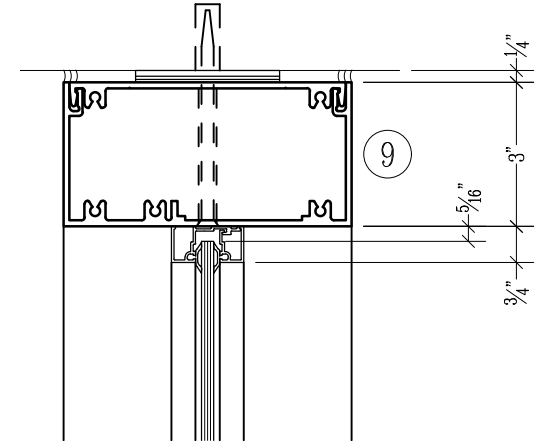
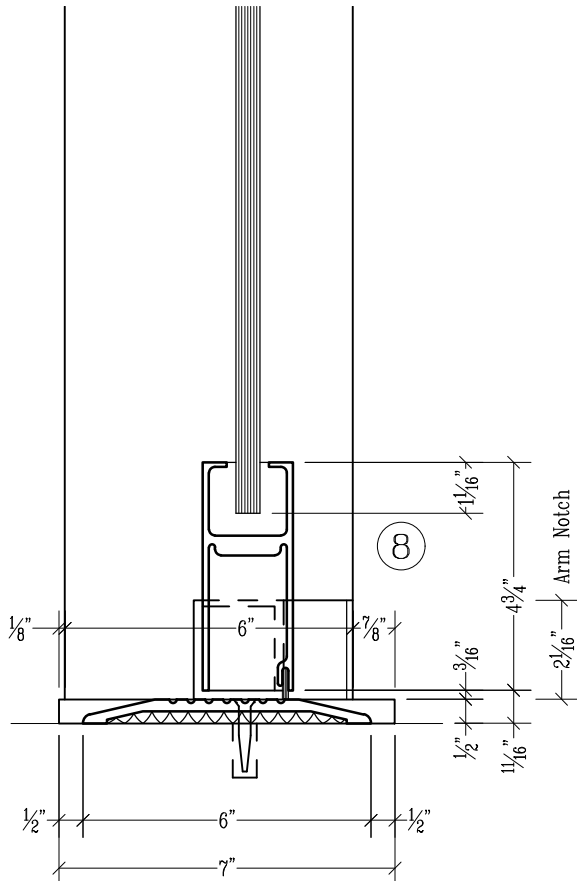
Concealed Shafts / Framed Sidelight and Transom (G-1)



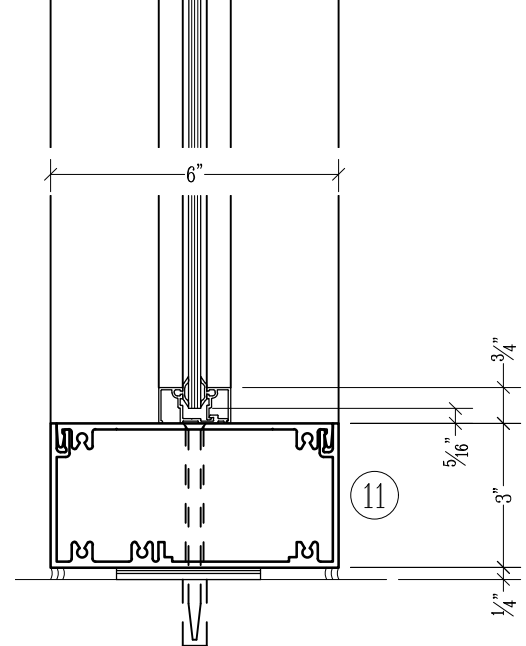
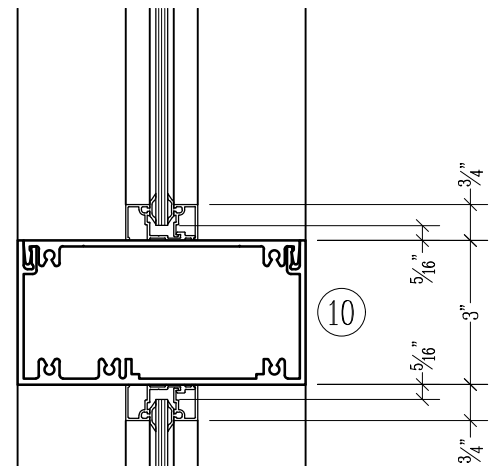
Concealed Shafts / Framed Sidelight and Transom (G-1)



PULL SIDE

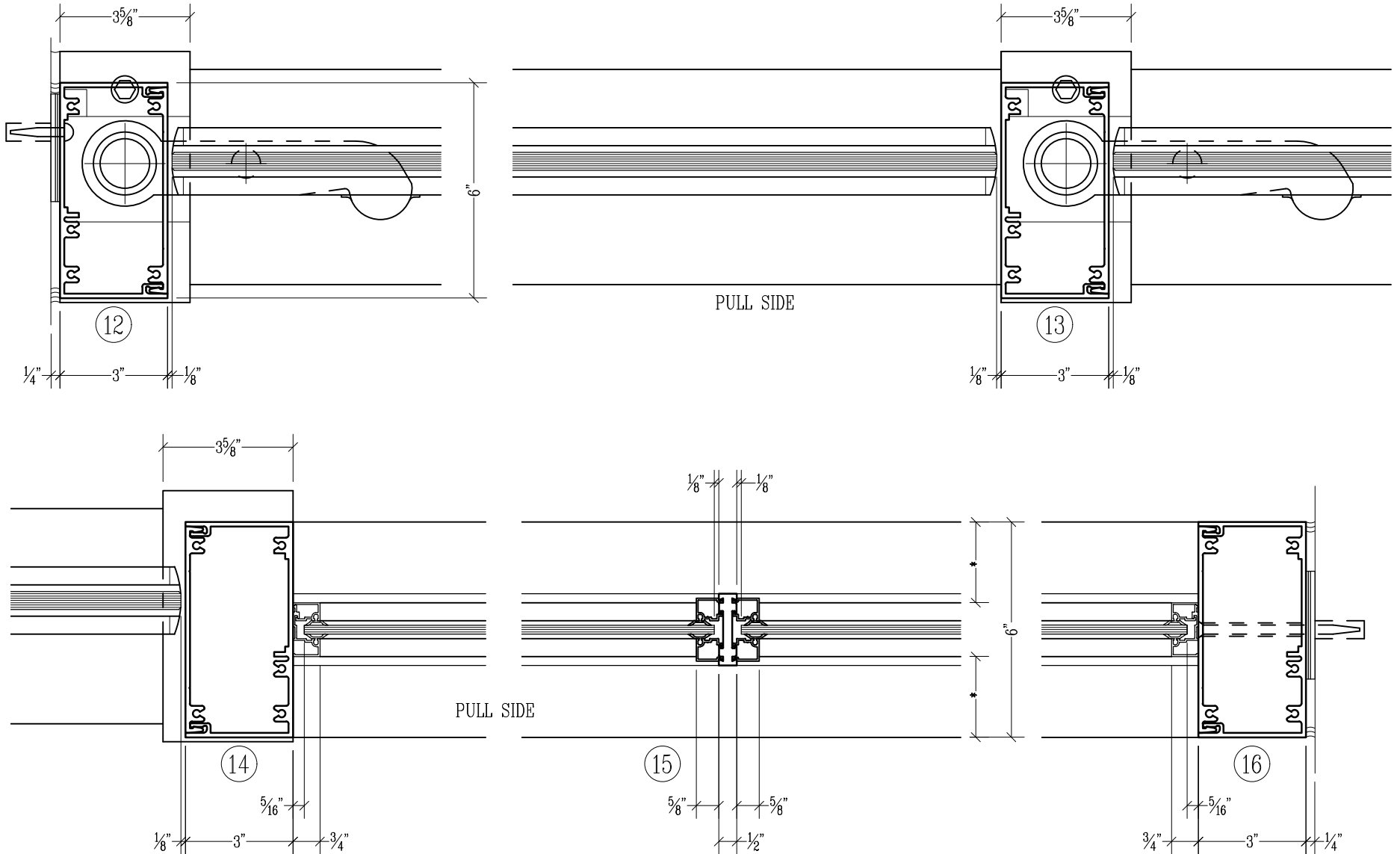


PULL SIDE

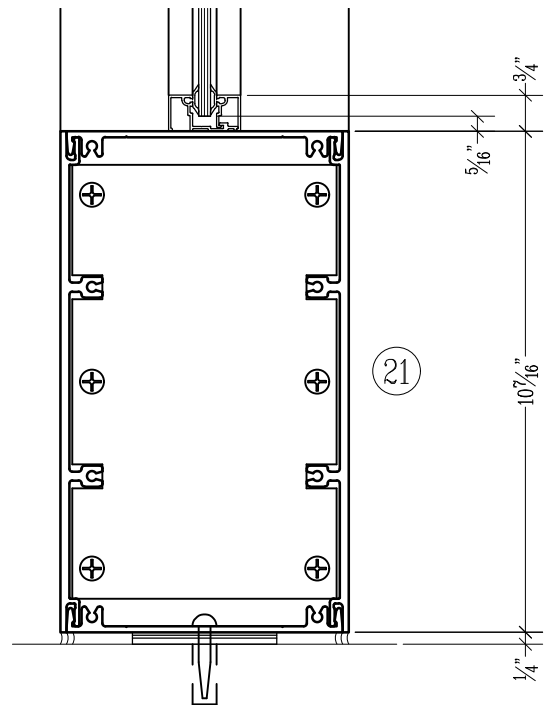
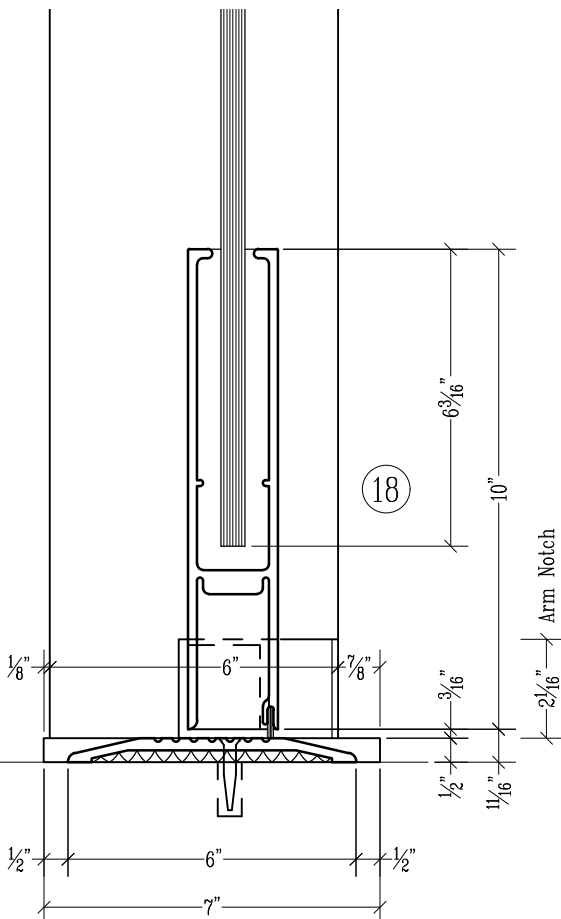
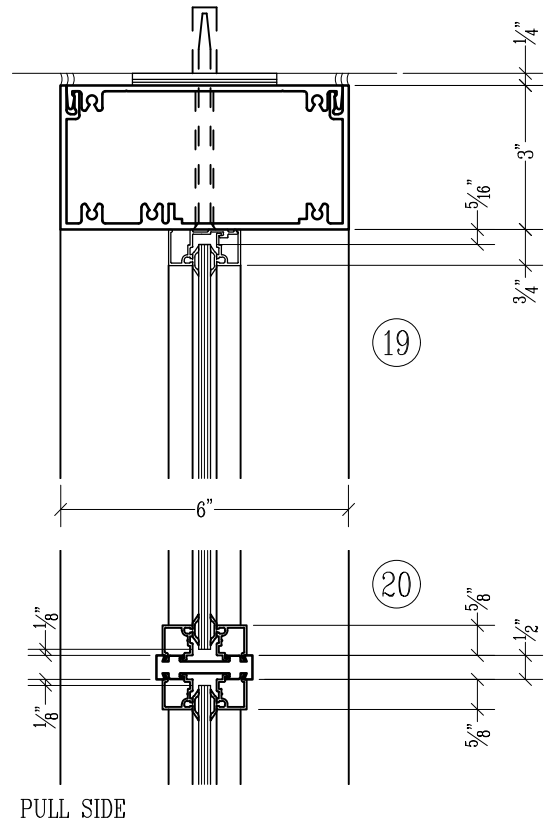
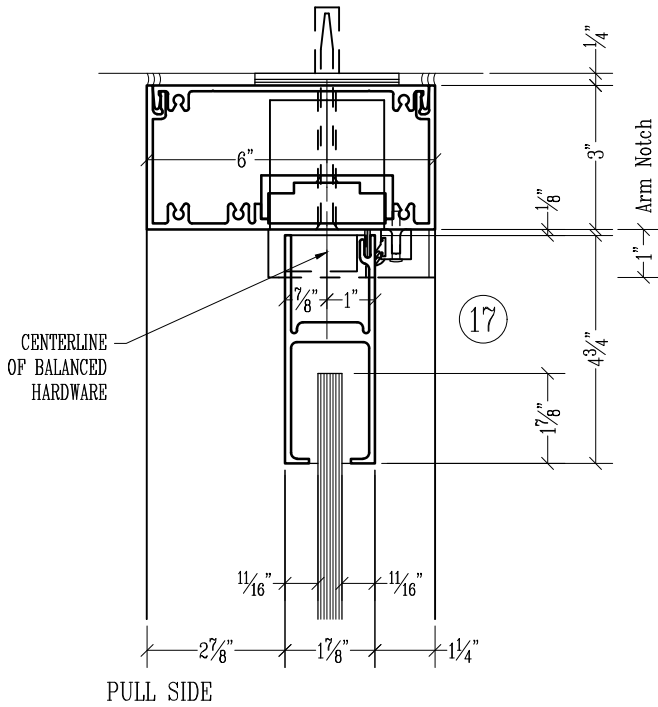


SCALE: $1\frac{1}{4}" = 1"$

Concealed Shafts / Framed Multi-Light Sidelight (G-2)

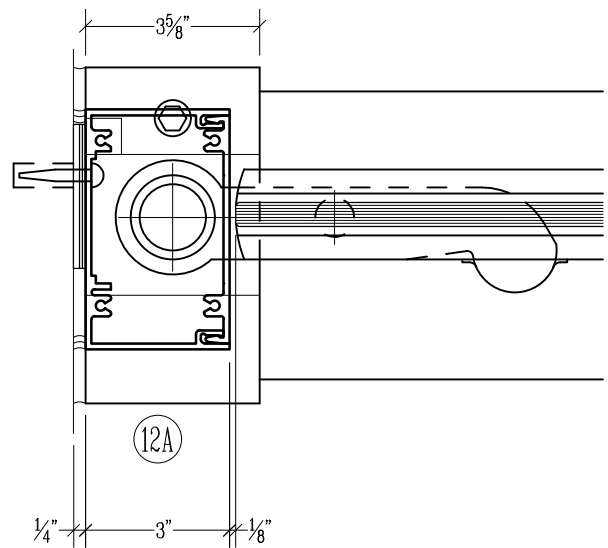
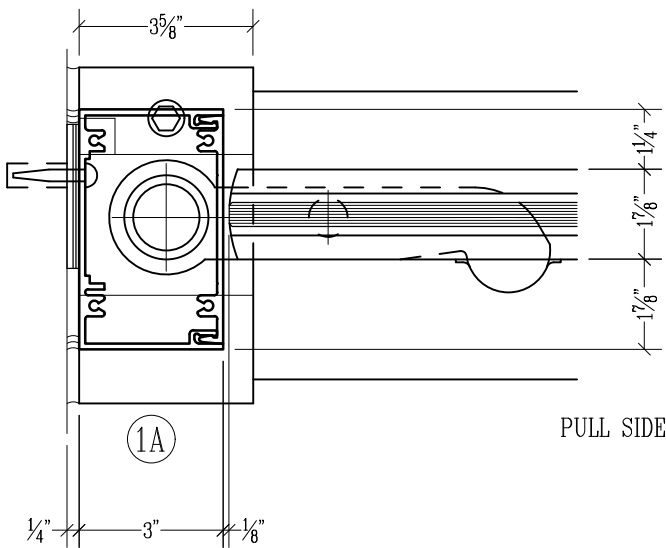
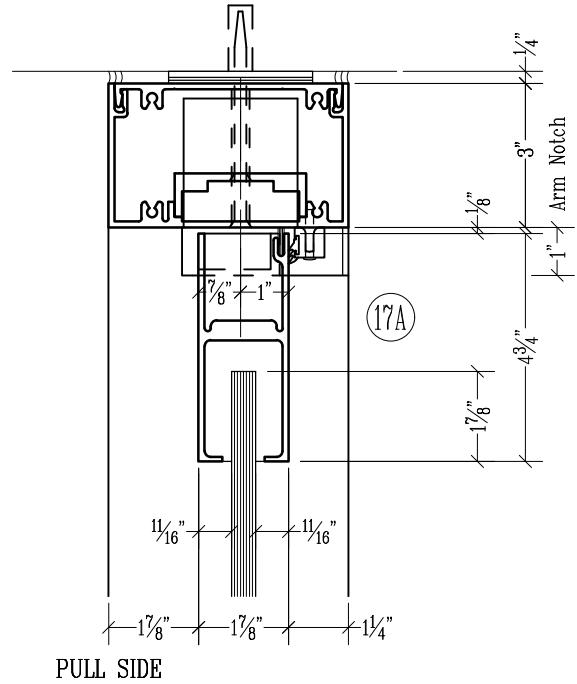
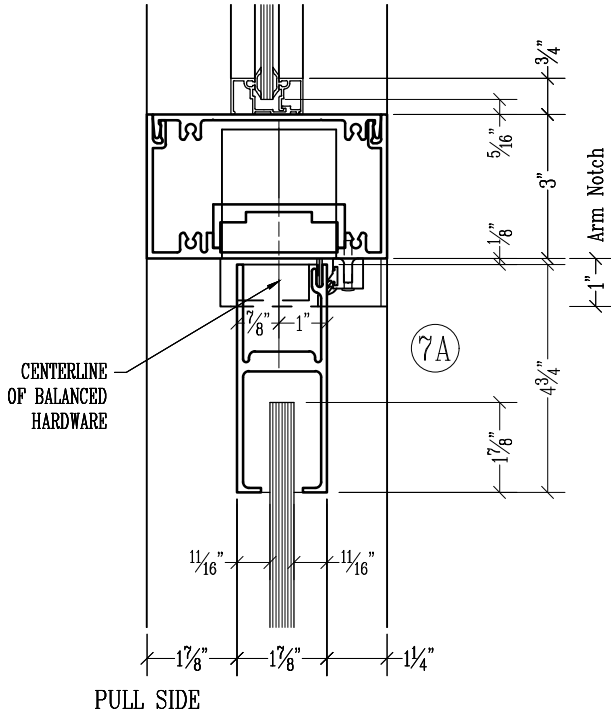


Concealed Shafts / Framed Multi-Light Sidelight (G-2)



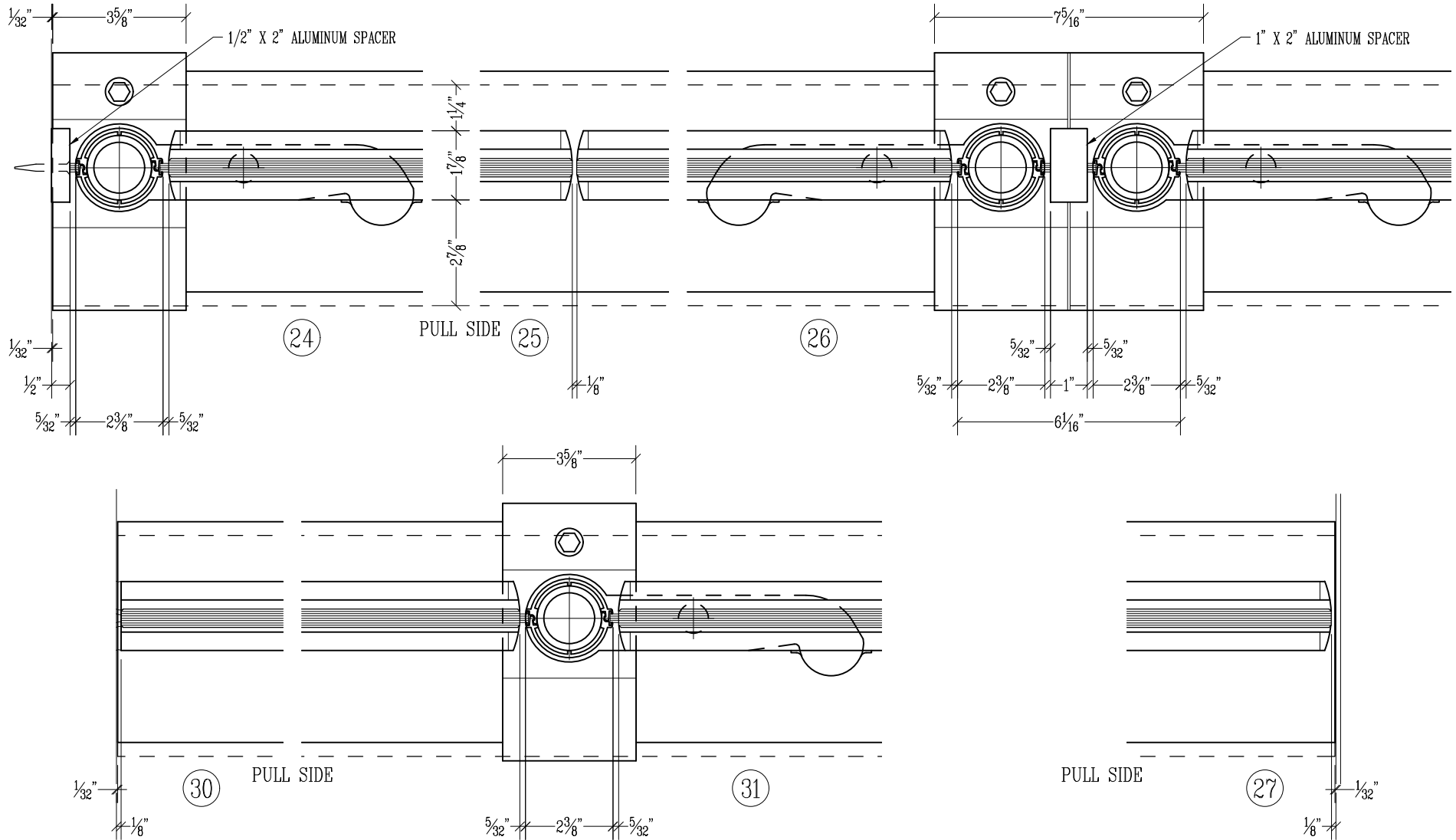
SCALE: 1/4" = 1"

Concealed Shafts / Optional 5" Deep Framing (G-1 & 2)

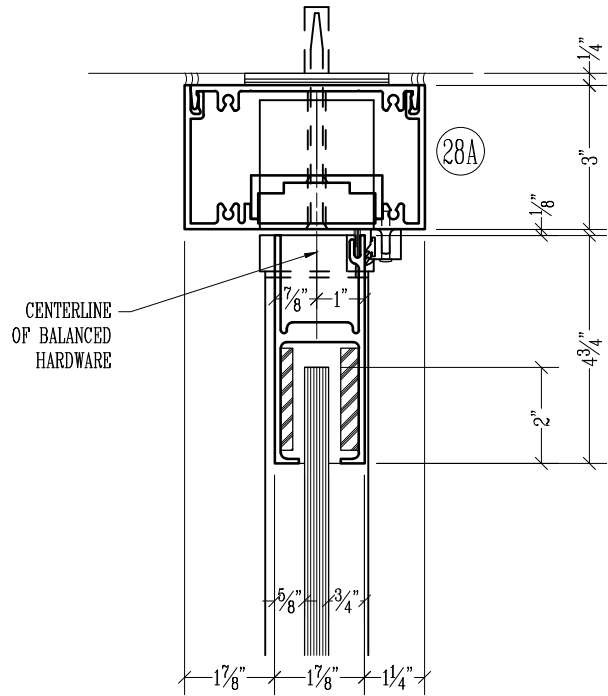
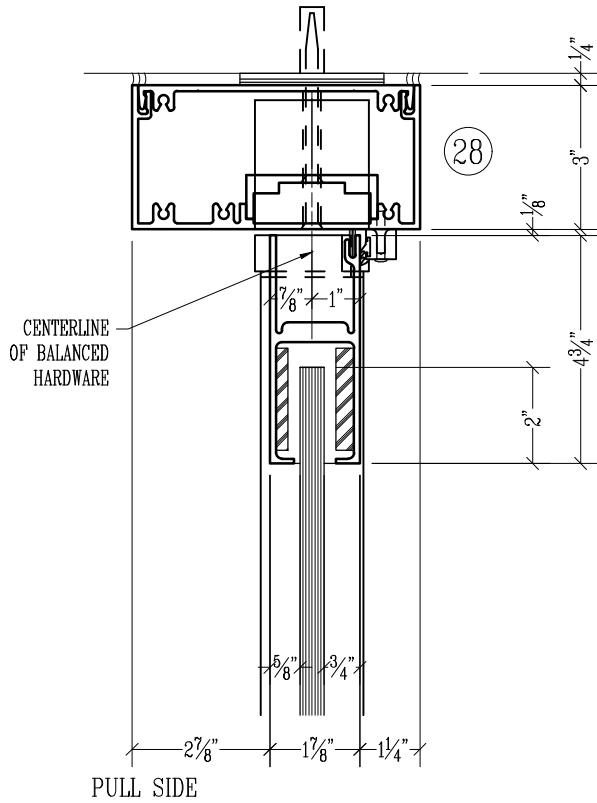


SCALE: 1/4" = 1"

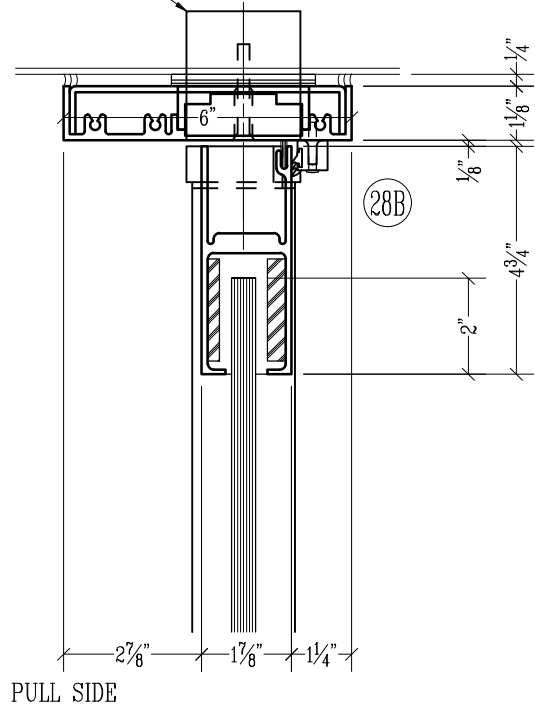
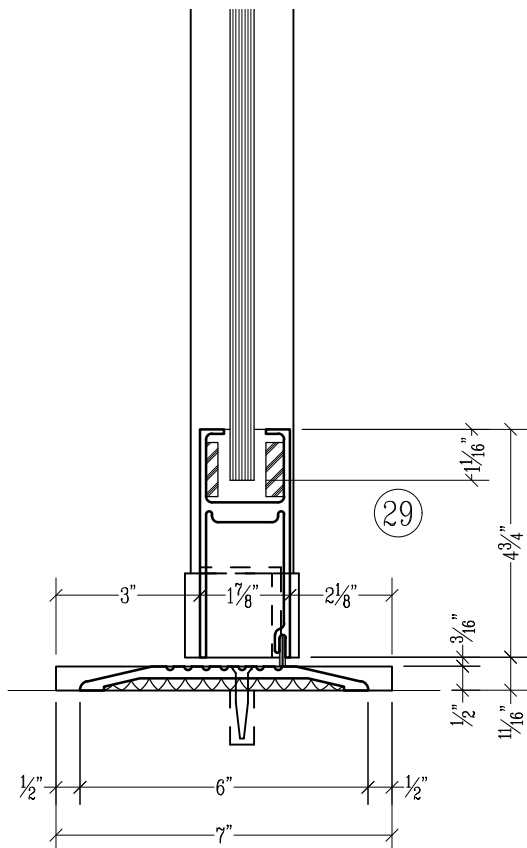
Exposed Shafts / Header (G-3 & 4)



Exposed Shafts / Optional Header Framing (G-3 & 4)

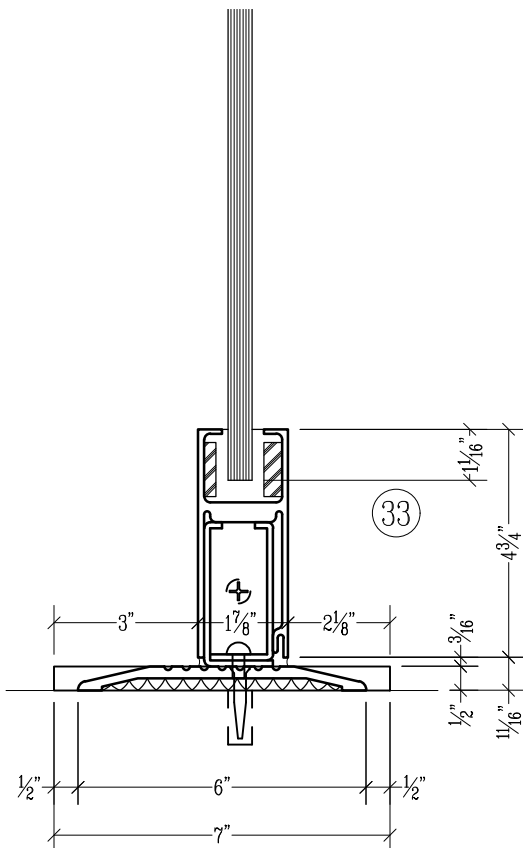
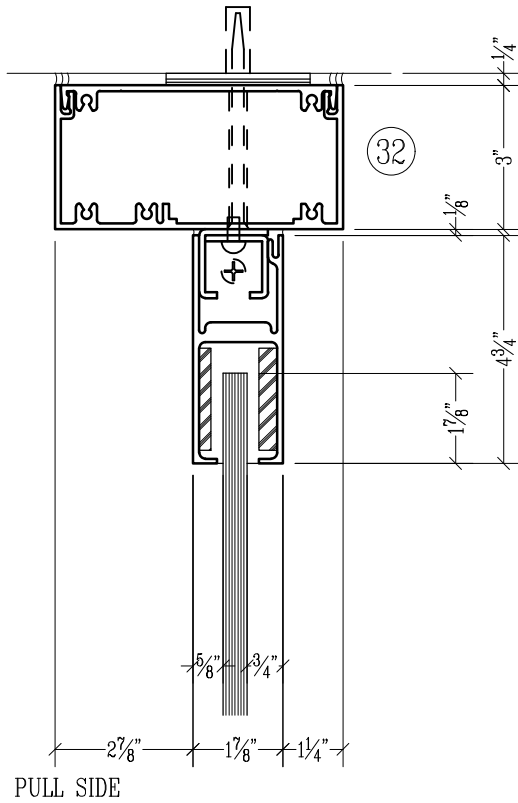


MORTISE REQUIRED FOR
BALANCED HARDWARE
AT HEAD



SCALE: 1/4" = 1"

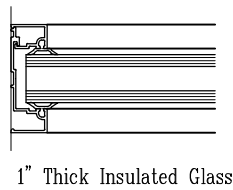
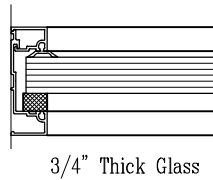
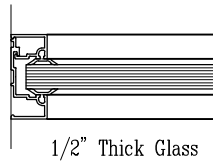
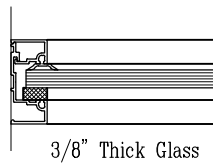
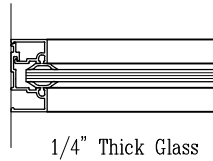
Exposed Shafts / Header / Tempered Glass Sidelights (G-4)



SCALE: 1/4" = 1"

EXTRUDED ALUMINUM GLASS STOPS FOR FRAMES.
(consult factory for special glass thickness)

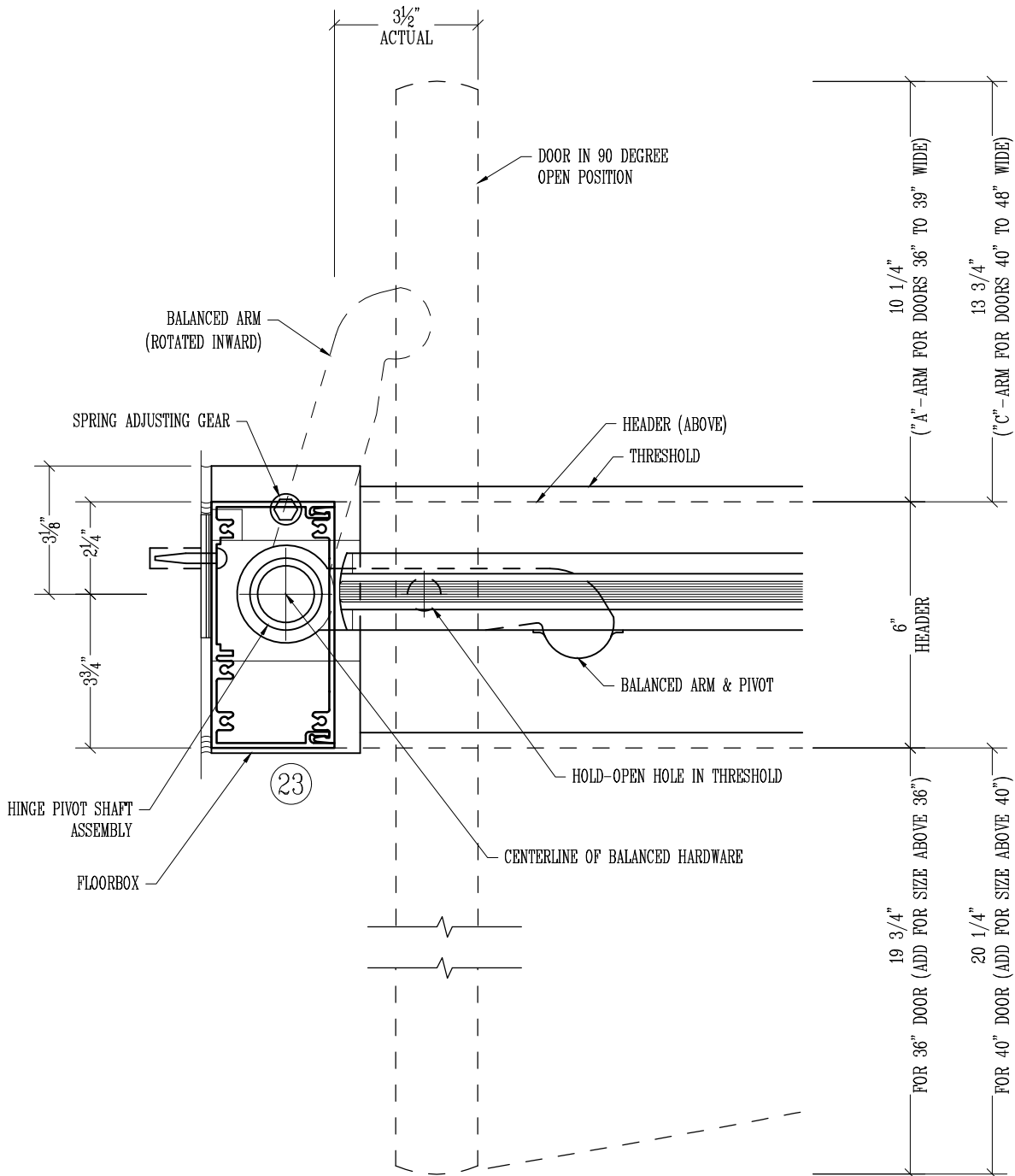
Frame Glass
(Applied Stops)



Concealed Shafts (G-1 & 2)

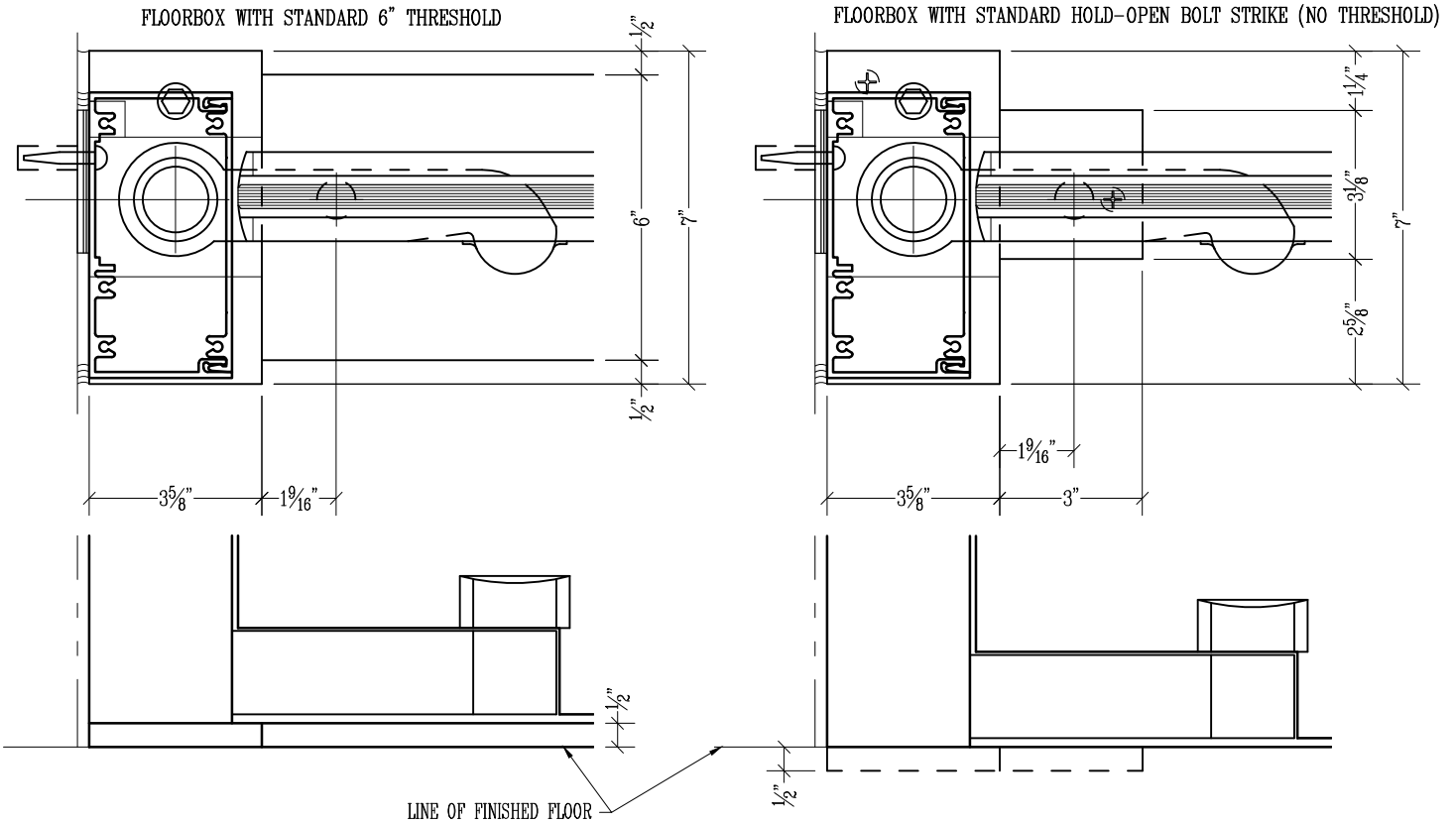
NOTES:

- Balanced hardware arm and door shown dotted, in the open position ("A" arm size shown).



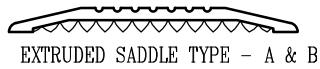
Concealed Shafts (G-1 & 2)

TYPICAL FLOORBOX LAYOUT AT HINGE JAMB.



AVAILABLE THRESHOLD OPTIONS:

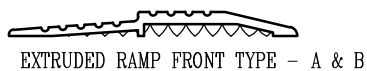
- 1 1/2" x 6" Extruded thresholds are available in Aluminum (A) and Bronze (B).
- 1 1/2" x 6" Formed-up stainless steel or bronze saddle type threshold shown (formed-up type can be made in different sizes & profiles - consult factory). Max width 6".



EXTRUDED SADDLE TYPE - A & B



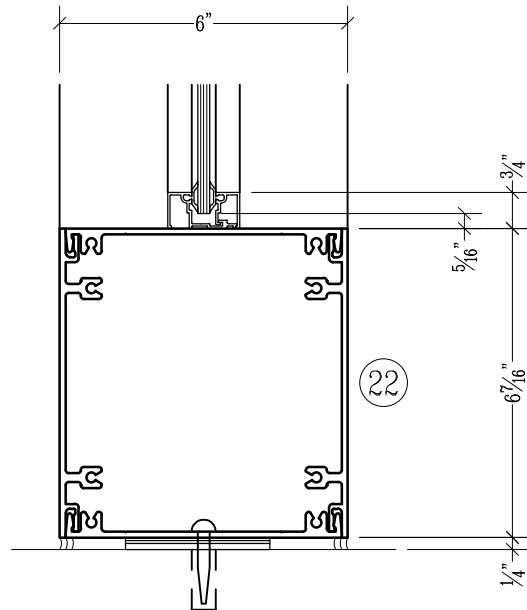
EXTRUDED SQUARE BACK TYPE - A & B



EXTRUDED RAMP FRONT TYPE - A & B



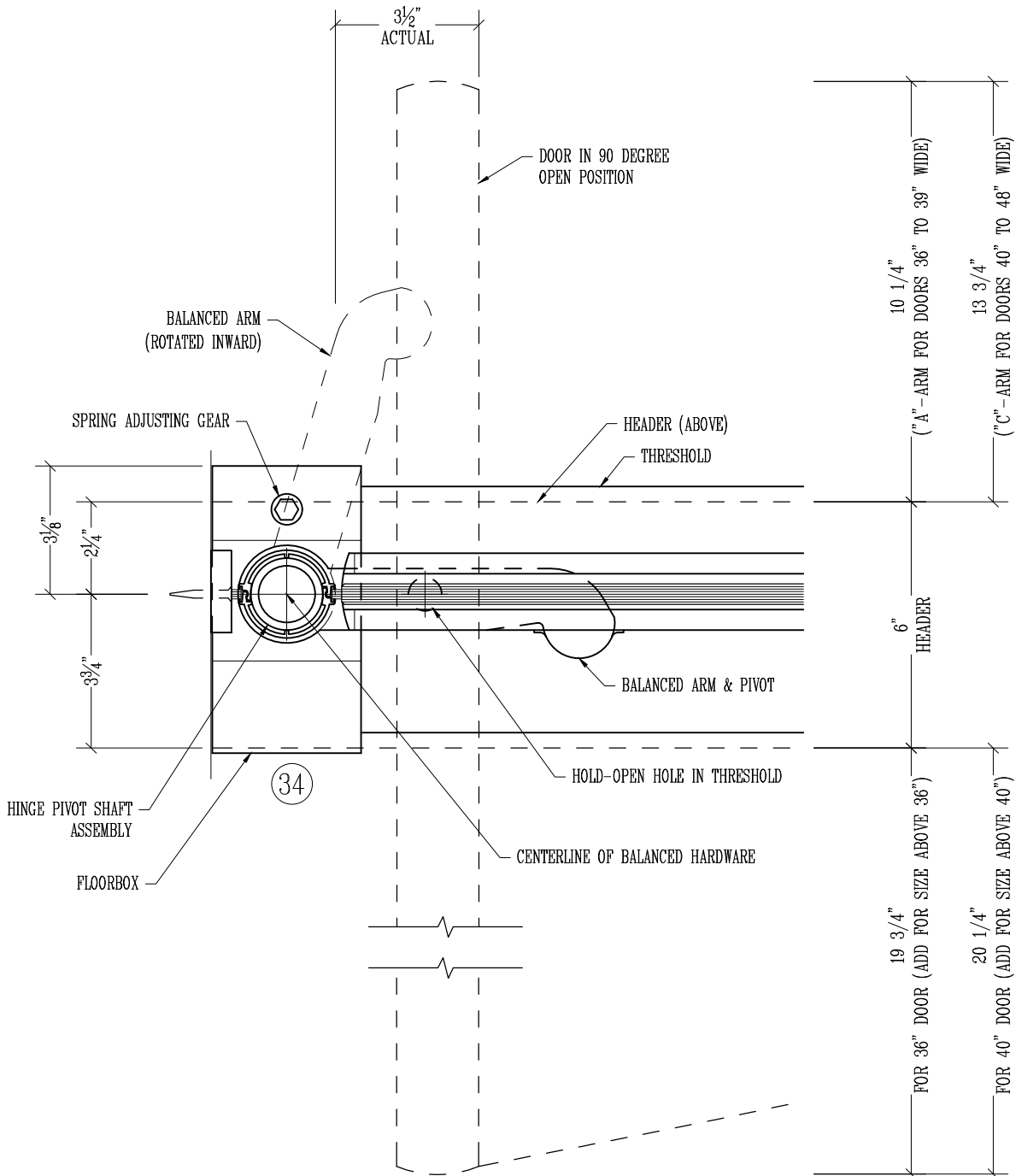
FORMED-UP SADDLE TYPE - SS & B



Exposed Shafts (G-3 & 4)

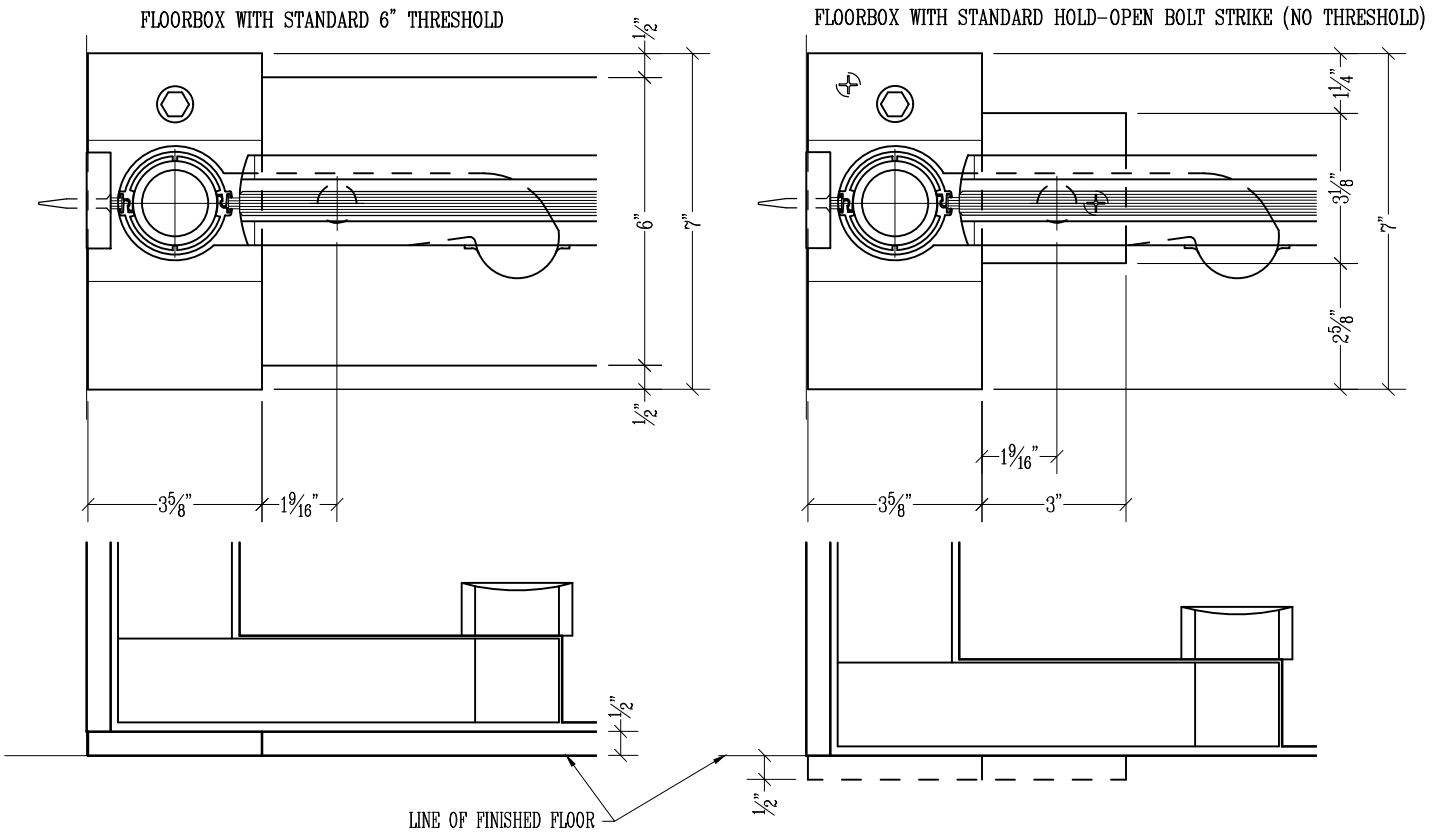
NOTES:

- Balanced hardware arm and door shown dotted, in the open position ("A" arm size shown).



Exposed Shafts (G-3 & 4)

TYPICAL FLOORBOX LAYOUT AT HINGE JAMB.



AVAILABLE THRESHOLD OPTIONS:

1. 1/2" x 6" Extruded thresholds are available in Aluminum (A) and Bronze (B).
2. 1/2" x 6" Formed-up stainless steel or bronze saddle type threshold shown (formed-up type can be made in different sizes & profiles - consult factory). Max width 6".

